

HCG/B

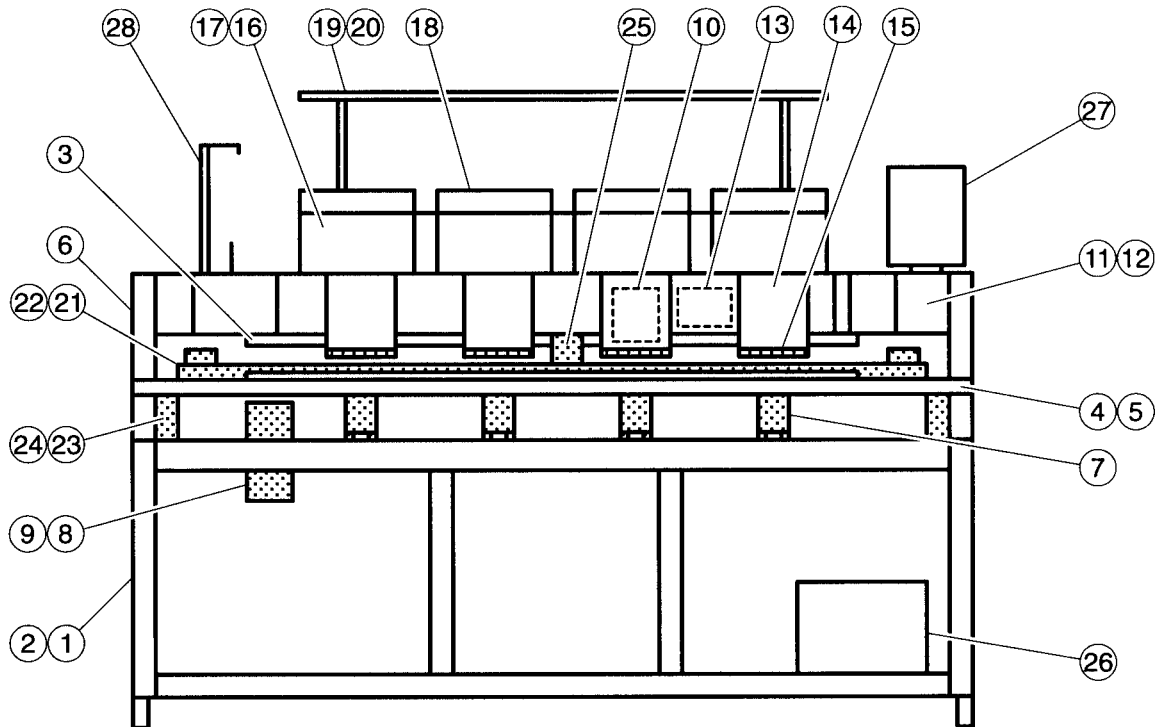
ELECTRONIC EMBROIDERY MACHINE

PARTS LIST

パーツリスト



INDEX

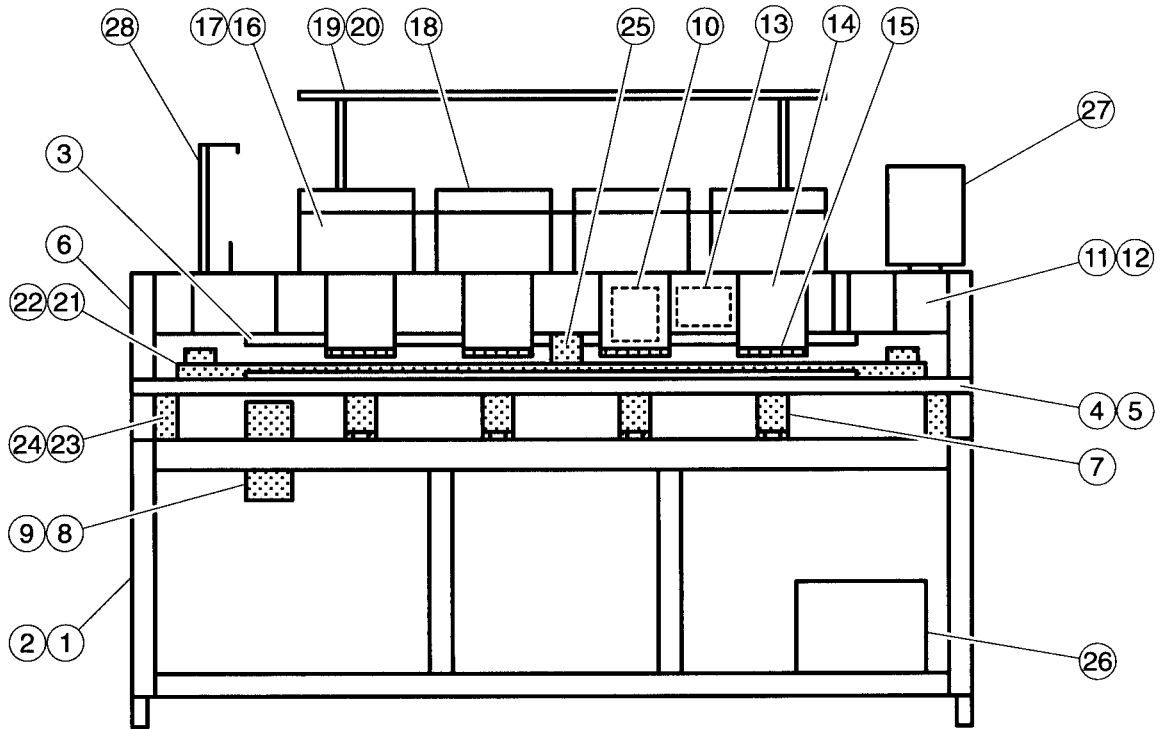


FRAME 1	1a
FRAME 2	1b
FRAME 3	1c
FRAME (PARTS BY MODEL)	2a
ILLUMINATOR	3a
TABLE 1	4a
TABLE 2	4b
TABLE (PARTS BY MODEL)	5a
TRANSMISSION UNIT 1	6a
TRANSMISSION UNIT 2	6b
BED 1	7a
BED 2	7b
BED 3	7c
THREAD CUTTING DRIVER 1	8a
THREAD CUTTING DRIVER 2	8b
THREAD CUTTING DRIVER (PARTS BY MODEL)	9a
FIXED HEAD 1	10a
FIXED HEAD 2	10b
NEEDLE BAR CHANGE UNIT	11a
NEEDLE BAR CHANGE UNIT (PARTS BY MODEL)	12a
TIMING DETECTING UNIT	13a
MOVING HEAD 1	14a
MOVING HEAD 2	14b
THREAD CATCHER	15a

※ Specifications are subject to change without notice.

※ When you place parts orders, please state machine model (example : HCG-1502B-45TTC), machine number and if machine is with option or not.

INDEX



THREAD TENSION UNIT 1	16a
THREAD TENSION UNIT 2	16b
THREAD TENSION UNIT 1(PARTS BY MODEL)	17a
THREAD TENSION UNIT 2(PARTS BY MODEL)	17b
ROTARY TYPE THREAD BREAK DETECTING DEVICE	18a
THREAD STAND 1	19a
THREAD STAND 2	19b
THREAD STAND (PARTS BY MODEL)	20a
X CARRIAGE 1	21a
X CARRIAGE 2	21b
X CARRIAGE (PARTS BY MODEL)	22a
Y CARRIAGE A	23a
Y CARRIAGE A(PARTS BY MODEL)	24a
Y CARRIAGE B	25a
MAIN UNIT	26a
CONTROL BOX	27a
BOBBIN WINDER	28a
CAP FRAME (DRIVE FRAME) (OPTION)	29a
CAP FRAME (HOLD FRAME) (OPTION)	29b
CAP FRAME (CAP STRETCHER) (OPTION)	29c

※ Specifications are subject to change without notice.

※ When you place parts orders, please state machine model (example : HCG-1502B-45TTC), machine number and if machine is with option or not.

EXPLANATION OF LIST 1

組 Ass'y	指図 Elt	部品番号 PARTS No.	PARTS NAMES
	9	HMF17870	Adjusting plate
11*	10	M0416186	Thread check spring
	11	HMF17840	Thread tension ass'y
	12	HMF17860	Thread tension lid
	31	<u>HCG08170</u>	Roller pin guide
	32	→10b	Jump solenoid ass'y (by model)
①	②	③	④

- ① This element number here is an assembly part number.
It indicates that the part shown here is a component of an assembly part.
- ② It is the element number of this parts in illustrations.
- ③ It is parts number.
- ④ This parts is entered to other page of that mark "→" shows.

EXPLANATION OF LIST 2 (PARTS BY MODEL)

In this parts list, we have parts followed by description of "(Parts by model)".
 These parts are carried in pages where "(Parts by model)" after unit name is described.

指図 / E'l't		45
PARTS NAMES		Beam
機種 MODEL	L 8 2 0	HMF00850
	L 7 2 0 A	HMF00890
	L 8 1 8	HMF00900
	L 8 1 6	HMF00910
	L 8 1 4	HMF00920
	L 1 0 1 2	HMF00820
	L 8 1 2	HMF00930
	W1 0 1 5 - 7 8	HMF01050
	7 2 2	HMF01020

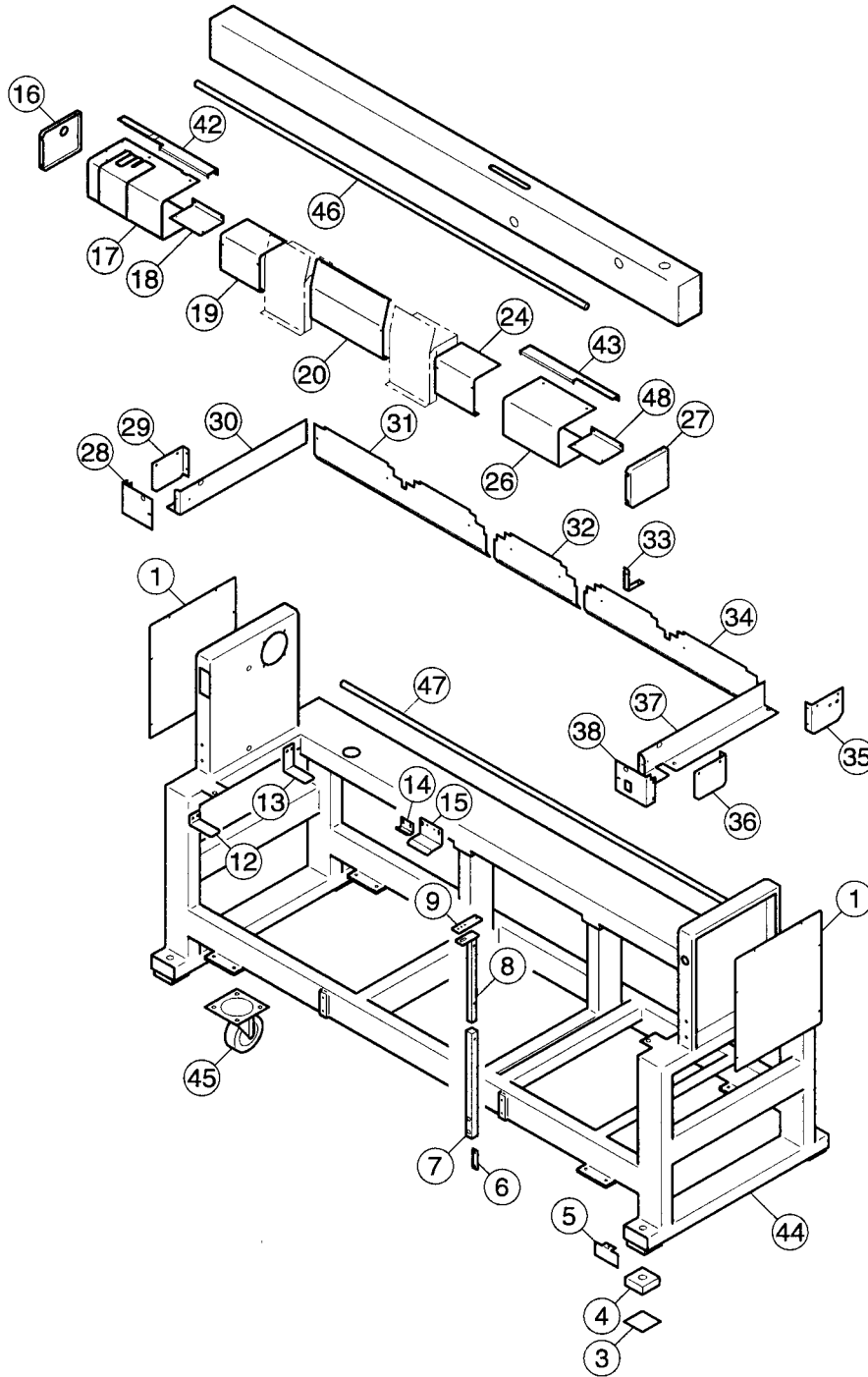
- ① It is the element number of this parts in illustrations.
- ② This column shows machine model.
- ③ This column shows parts number related to machine model.
 (Example. Parts number of "Beam" for L820 → HMF00850)

EXPLANATION OF LIST 3 (UNIT BY MODEL)

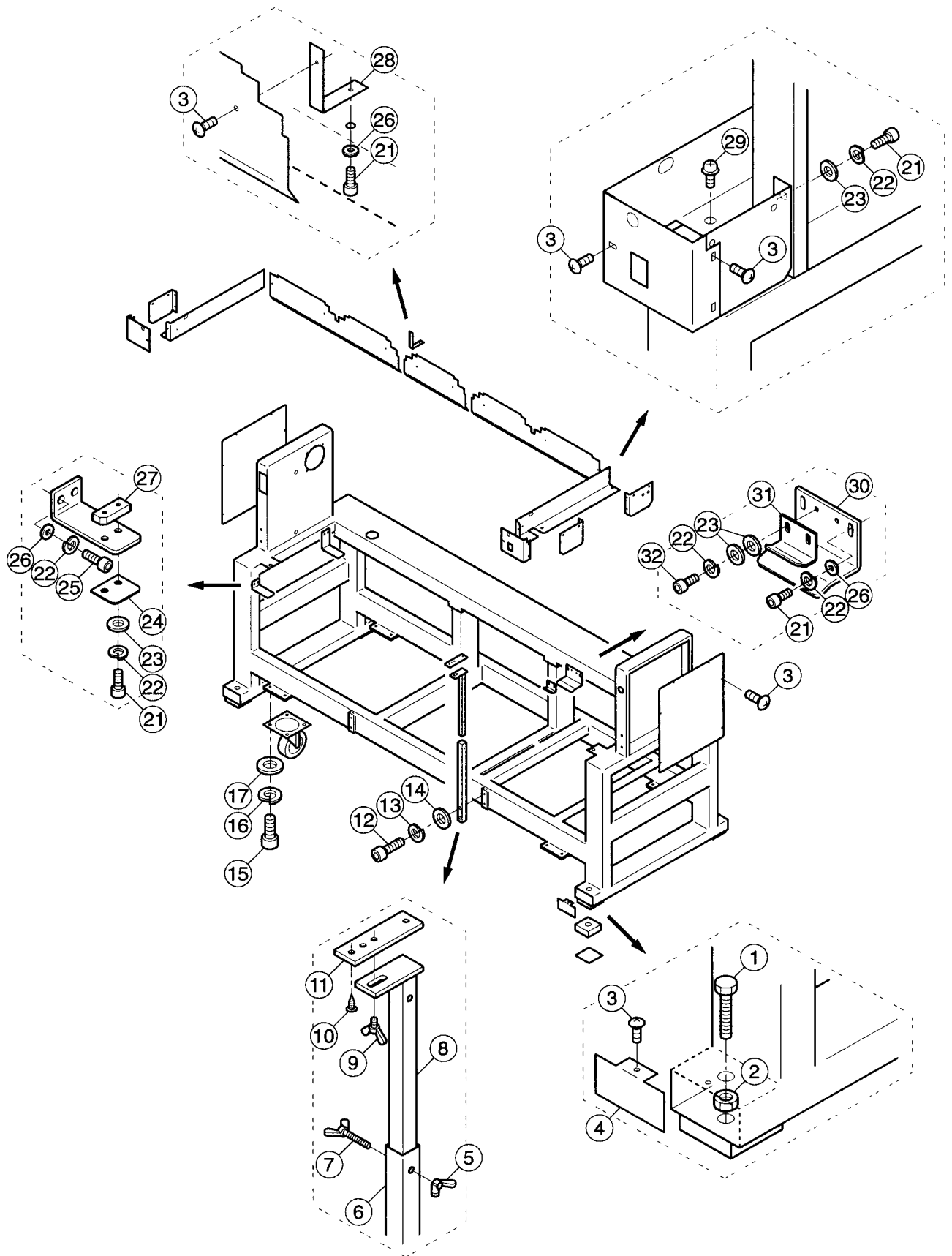
Several types of unit are available by difference of component parts and function.
 Unit is different by machine model.
 You will see relation between machine model and type of unit by description of "(unit by model)" after unit name in index.
 When you need some type of unit, check type of unit for your machine and refer to page for unit and type.

指図 / E'l't			
UNIT NAMES		Thread tension cover	Thread stand base
機種 MODEL	L 8 2 0	A	A
	L 7 2 0 A	A	A
	L 8 1 8	A	A
	L 8 1 6	A	A
	L 8 1 4	A	A
	L 1 0 1 2	C	C
	W1 2 1 5	C	E
	W1 0 1 5	C	C
	7 2 2	A	A

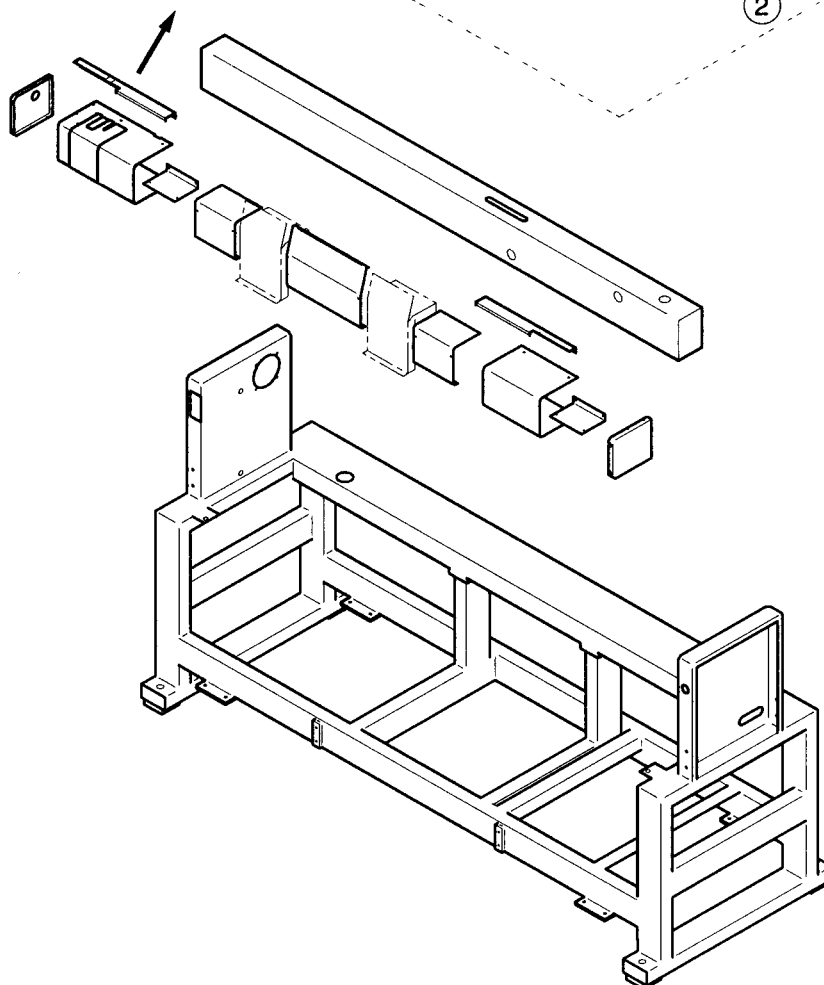
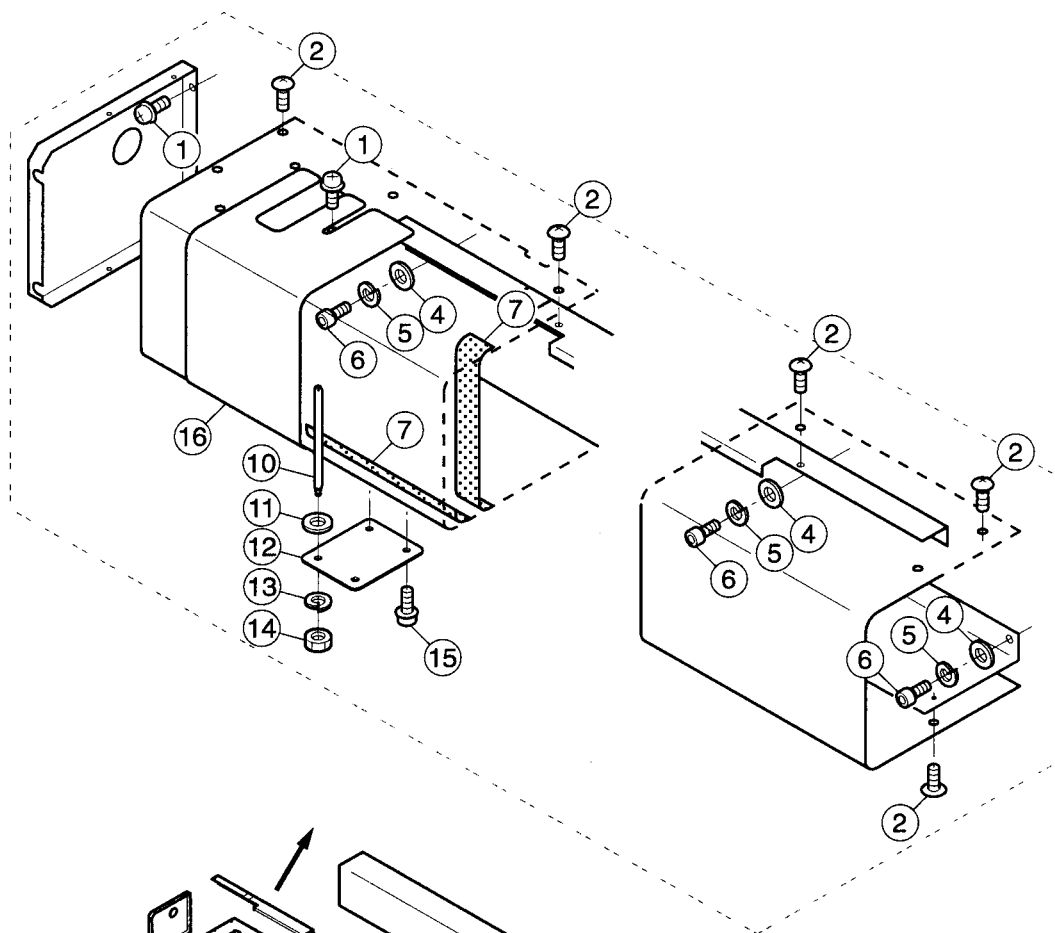
- ① This column shows machine model.
- ② This column shows type of unit related to machine model.



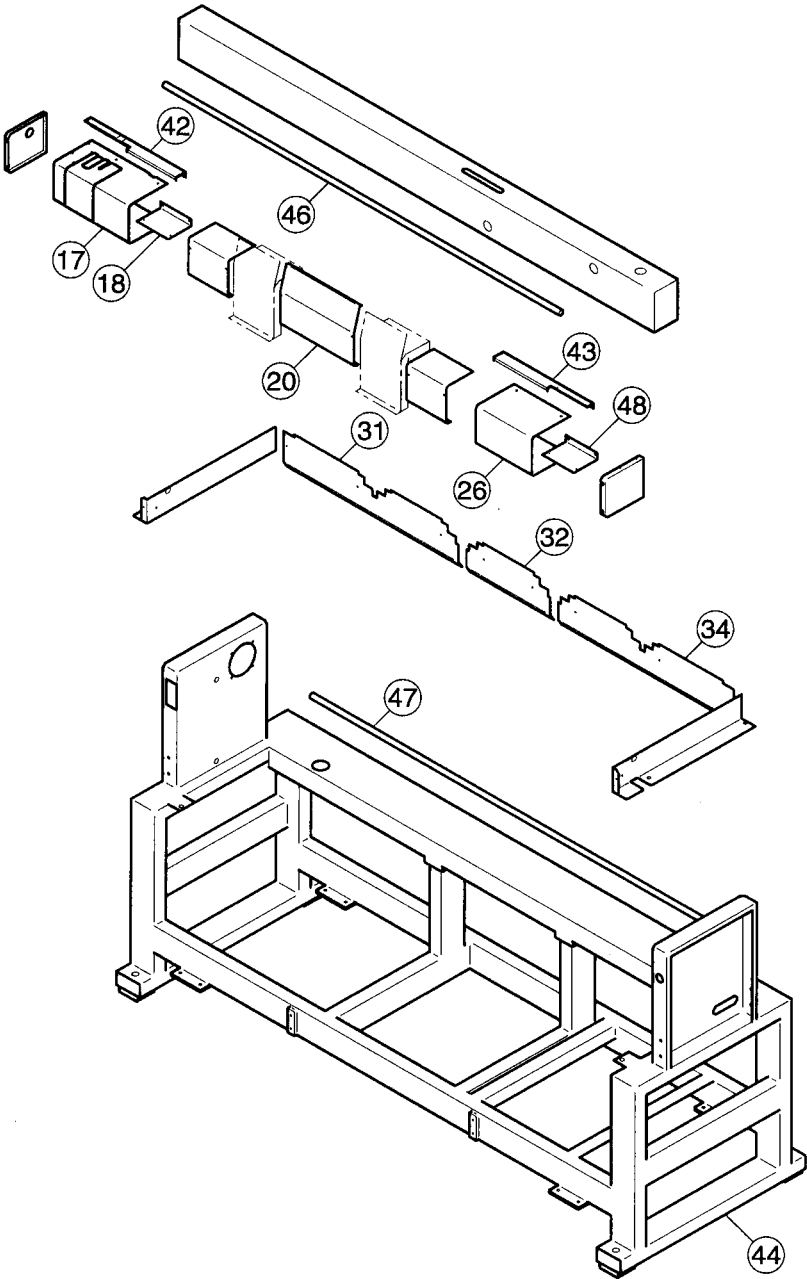
組 Ass'y	指図 Elt	部品番号 PARTS No.	PARTS NAMES	CGB1914 NOTE / 備考
	1	HCG02460	Cover	
	3	HCG00330	Rubber mount	
	4	HCG00321	Mount	
	5	HCG00310	Pipe cover	
	6	HCG32030	Plate washer	
	7	HCG32021	Table stay (lower)	
	8	HCG32010	Table stay (upper)	
	9	HCG32000	Plate	
	12	HCG32071	Table bracket B (side)	
	13	HCG32061	Table bracket A (side)	
	14	HCG32051	Table bracket B (rear)	
	15	HCG32041	Table bracket A (rear)	
	16	HCG10290	Side cover (left)	
	17	→2a	Upper shaft cover (left) (by model)	
	18	→2a	Cover bracket (lower) (by model)	
	19	HCG10312	Head cover (left)	
	20	→2a	Head cover (middle) (by model)	
	24	HCG10280	Head cover (right)	
	26	→2a	Cover for needle bar change unit (by model)	
	27	HCG10240	Side cover (right)	
	28	HCG00360	Table support cover B	
	29	HCG30651	Table support B (side)	
	30	HCG00382	Table support cover D	
	31	→2a	Table support cover (left) (by model)	
	32	→2a	Table support cover (center) (by model)	
	33	HCG00390	Cover bracket	
	34	→2a	Table support cover (right) (by model)	
	35	HCG30661	Table support C (side)	
	36	HCG30641	Table support A (side)	
	37	HCG00372	Table support cover C	
	38	HCG00350	Table support cover A	
	42	→2a	Cover bracket C (upper) (by model)	
	42	→2a	Cover bracket D (upper) (by model)	
	43	→2a	Cover bracket A (upper) (by model)	
	43	→2a	Cover bracket B (upper) (by model)	
	44	→2a	Frame (by model)	
	45	MPZ02300	Caster	
	46	→2a	Upper shaft (by model)	
	47	→2a	Lower shaft (by model)	
	48	→2a	Cover bracket (lower) (by model)	



組 Ass'y	指図 Elt	部品番号 PARTS No.	PARTS NAMES	CGB1131 NOTE / 備考
	1	SHBA16100	Hexagon head bolt (M16x100)	
	2	NHBA16000	Hexagon nut (M16)	
	3	STAB04006	Truss head screw (cross recessed, M4x6)	
	4	HCG00310	Pipe cover	
	5	NWAB06000	Wing nut (M6)	
	6	HCG32021	Table stay (lower)	
	7	SWAB06035	Wing bolt (M6x35)	
	8	HCG32010	Table stay (upper)	
	9	SWAB06010	Wing bolt (M6x10)	
	10	SLAB5A020	Oval head wood screw (cross recessed head, 5.1x20)	
	11	HCG32000	Plate	
	12	SCAA06025	Hexagon socket head cap screw (M6x25)	
	13	WSAA06000	Spring lock washer (M6)	
	14	WPAA06000	Plain washer (M6)	
	15	SCAA10020	Hexagon socket head cap screw (M10x20)	
	16	WSAA10000	Spring lock washer (M10)	
	17	WPAA10000	Plain washer (M10)	
	21	SCAA05015	Hexagon socket head cap screw (M5x15)	
	22	WSAA05000	Spring lock washer (M5)	
	23	WPAA05000	Plain washer (M5)	
	24	HCG32090	Spacer	
	25	SCAA05020	Hexagon socket head cap screw (M5x20)	
	26	M0408160	Washer	
	27	HCG32080	Table guide	
	28	HCG00390	Cover bracket	
	29	SPDD04008	Pan head screw (cross recessed, M4x8)	
	30	HCG32041	Table bracket A (rear)	
	31	HCG32051	Table bracket B (rear)	
	32	SCAA05010	Hexagon socket head cap screw (M5x10)	



組 Ass'y	指図 El't	部品番号 PARTS No.	PARTS NAMES	CGB9827 NOTE / 備考
	1	SPDD04008	Pan head screw (cross recessed, M4x8)	
	2	STAB04006	Truss head screw (cross recessed, M4x6)	
	4	WPAA05000	Plain washer (M5)	
	5	WSAA05000	Spring lock washer (M5)	
	6	SCAA05010	Hexagon socket head cap screw (M5x10)	
	7	HMF10330	Protection tape	
	10	M0402052	Spool pin	
	11	WPAD04000	Plain washer (M4)	
	12	HCG10320	Spool pin support	
	13	WSAD04000	Spring lock washer (M4)	
	14	NHAD04000	Hexagon nut (M4)	
	15	SCBD04008	Hexagon socket head cap screw with flange (M4x8)	
	16	HCG10440	Cover	

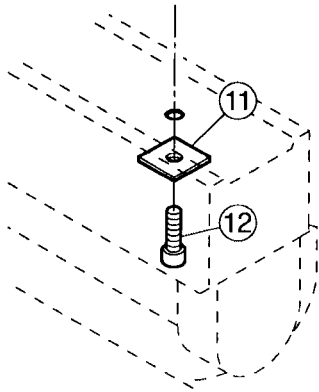
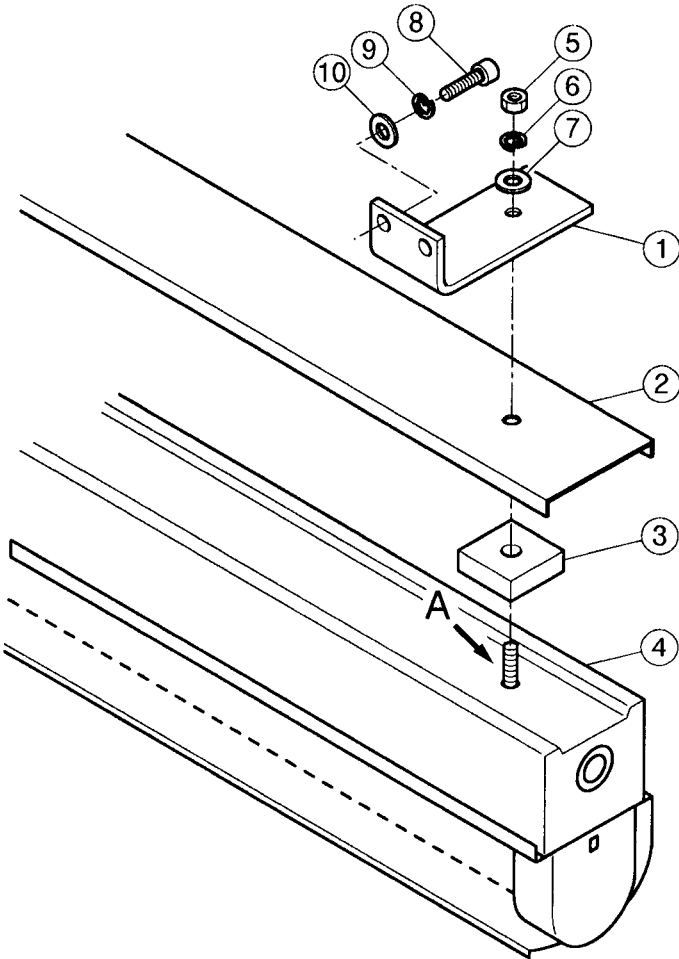


指図 / EIt		1 7	1 8, 4 8	2 0	2 6
PARTS NAMES		Upper shaft cover (left)	Cover bracket (lower)	Head cover (middle)	Cover
機種 MODEL	1 2 0 6 B	HCG10450	HCG10260	HCG13150	HCG10270
	1 0 0 6 B	HCG10450	HCG10260	HCG13090	HCG10270
	X 1 2 0 4 B	HCG10460	HCG10340	HCG13160	HCG10350
	X 1 0 0 4 B	HCG10460	HCG10340	HCG13040	HCG10350
	1 2 0 4 B	HCG10450	HCG10260	HCG13150	HCG10270
	1 0 0 4 B	HCG10450	HCG10260	HCG13090	HCG10270
	1 2 0 2 B	HCG10460	HCG10340	HCG13160	HCG10350
	1 0 0 2 B	HCG10460	HCG10340	HCG13040	HCG10350

指図 / EIt		3 1	3 2	3 4	
PARTS NAMES		Table support cover (left)	Table support cover (center)	Table support cover (right)	
機種 MODEL	1 2 0 6 B	HCG00420	HCG00410	HCG00400	
	1 0 0 6 B	HCG00420	HCG00410	HCG00400	
	X 1 2 0 4 B	HCG00470	HCG00460	HCG00450	
	X 1 0 0 4 B	HCG00470	HCG00460	HCG00450	
	1 2 0 4 B	HCG00420	HCG00480	HCG00400	
	1 0 0 4 B	HCG00420	HCG00480	HCG00400	
	1 2 0 2 B	HCG00520	HCG00460	HCG00510	
	1 0 0 2 B	HCG00520	HCG00460	HCG00510	

指図 / EIt		4 2	4 2	4 3	4 3
PARTS NAMES		Cover bracket (upper) C	Cover bracket (upper) D	Cover bracket (upper) A	Cover bracket (upper) B
機種 MODEL	1 2 0 6 B	HCG10420	-	HCG10400	-
	1 0 0 6 B	HCG10420	-	HCG10400	-
	X 1 2 0 4 B	-	HCG10430	-	HCG10410
	X 1 0 0 4 B	-	HCG10430	-	HCG10410
	1 2 0 4 B	HCG10420	-	HCG10400	-
	1 0 0 4 B	HCG10420	-	HCG10400	-
	1 2 0 2 B	-	HCG10430	-	HCG10410
	1 0 0 2 B	-	HCG10430	-	HCG10410

指図 / EIt		4 4	4 6	4 7	
PARTS NAMES		Frame	Upper shaft	Lower shaft	
機種 MODEL	1 2 0 6 B	HCG00306	HCG02580	HCG02600	
	1 0 0 6 B	HCG00306	HCG02580	HCG02600	
	X 1 2 0 4 B	HCG00445	HCG02590	HCG02610	
	X 1 0 0 4 B	HCG00445	HCG02590	HCG02610	
	1 2 0 4 B	HCG00493	HCG02510	HCG02520	
	1 0 0 4 B	HCG00493	HCG02510	HCG02520	
	1 2 0 2 B	HCG00503	HCG02530	HCG02540	
	1 0 0 2 B	HCG00503	HCG02530	HCG02540	



A

ILLUMINATOR

3a-1

組	指図	部品番号		CGB0926
Ass'y	El't	PARTS No.	PARTS NAMES	NOTE / 備考
	1	HMF00192	Illuminator bracket	
	2	HCG00430	Illuminator cover	
	3	HMF00320	Vibration insulator	
	4	EPP00460	Illuminator	
	5	NHAA06000	Hexagon nut (M6)	
	6	WSAA06000	Spring lock washer (M6)	
	7	WPAA06000	Plain washer (M6)	
	8	SCAA05015	Hexagon socket head cap screw (M5x15)	
	9	WSAA05000	Spring lock washer (M5)	
	10	WPAA05000	Plain washer (M5)	
	11	WKAB06000	Square washer(M6)	
	12	SCAA06022	Hexagon socket head cap screw (M6x22)	

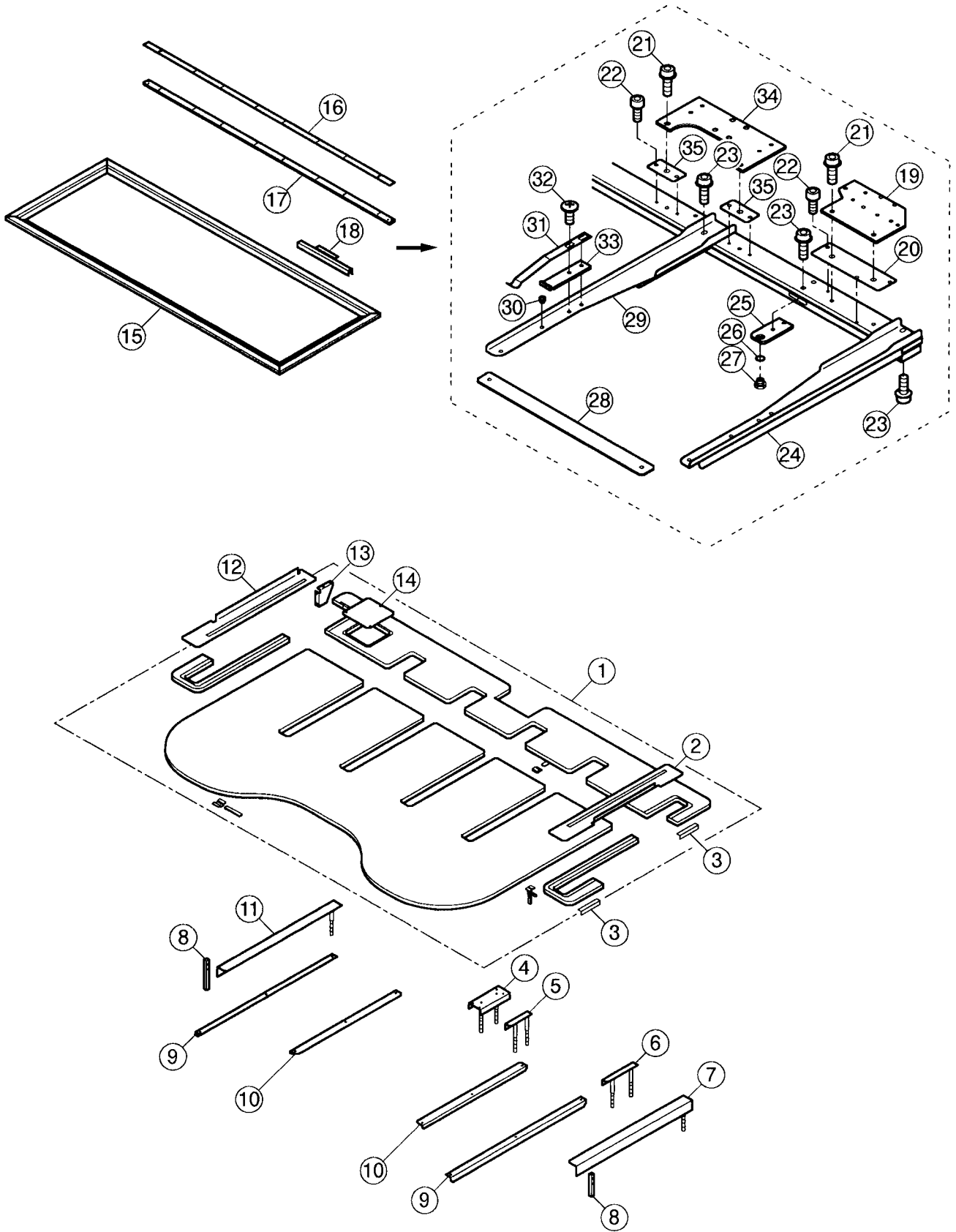


TABLE 1

4a-1

組 Ass'y	指図 El't	部品番号 PARTS No.	PARTS NAMES	CGB1131 NOTE / 備考
	1	→5a	Table set (by model)	
	2	HCG30681	Carriage cover (right)	
	3	→4b	Table support bracket A	
	4	HCG30610	Table support F	
	5	HCG30601	Table support E	
	6	HCG30121	Table support D	
	7	HCG30580	Table support (right)	
	8	→4b	Table support stud	
	9	HCG32110	Reinforcement plate	
	10	HCG32100	Table support (front)	
	11	HCG30590	Table support (left)	
	12	HCG30691	Carriage cover (left)	
	13	→4b	Table support bracket B	
	14	HCG06260	Cover for thread cutting driver	
	15	→5a	Embroidery frame ass'y (by model)	
	16	→5a	Tubular frame bracket (upper) (by model)	
	16	→5a	Cap frame bracket (upper) (by model)	
	17	→5a	Tubular frame bracket (lower) (by model)	
	17	→5a	Cap frame bracket (lower) (by model)	
	18	M0437016	Clip (300mm)	
	18	HMF37550	Clip (280mm)	
	18	M0437056	Clip (190mm)	
	18	M0437836	Clip (170mm)	
	19	→21a	Connecting plate	
	20	HCG37050	Tubular frame spacer A	
	21	SCBD04008	Hexagon socket head cap screw with flange (M4x8)	
	22	SCAD03006	Hexagon socket head cap screw (M3x6)	
	23	SCBD04006	Hexagon socket head cap screw with flange (M4x6)	
	24	HCG37081	Tubular frame hold arm (right)	
	25	HCG37071	Cap frame spacer	
	26	M0424080	Spacer	
	27	M0438941	Insert nut	
	28	→5a	Pitch gauge	
	29	HCG37091	Tubular frame hold arm (left)	
	30	C0440563	positioning pin	
	31	HCM41353	Hold spring C	
	32	SBAB04010	Binding head screw (M4x10)	
	33	HCM41361	Hold spring base	
	34	→21a	Connecting plate	
	35	HCG37060	Tubular frame spacer B	

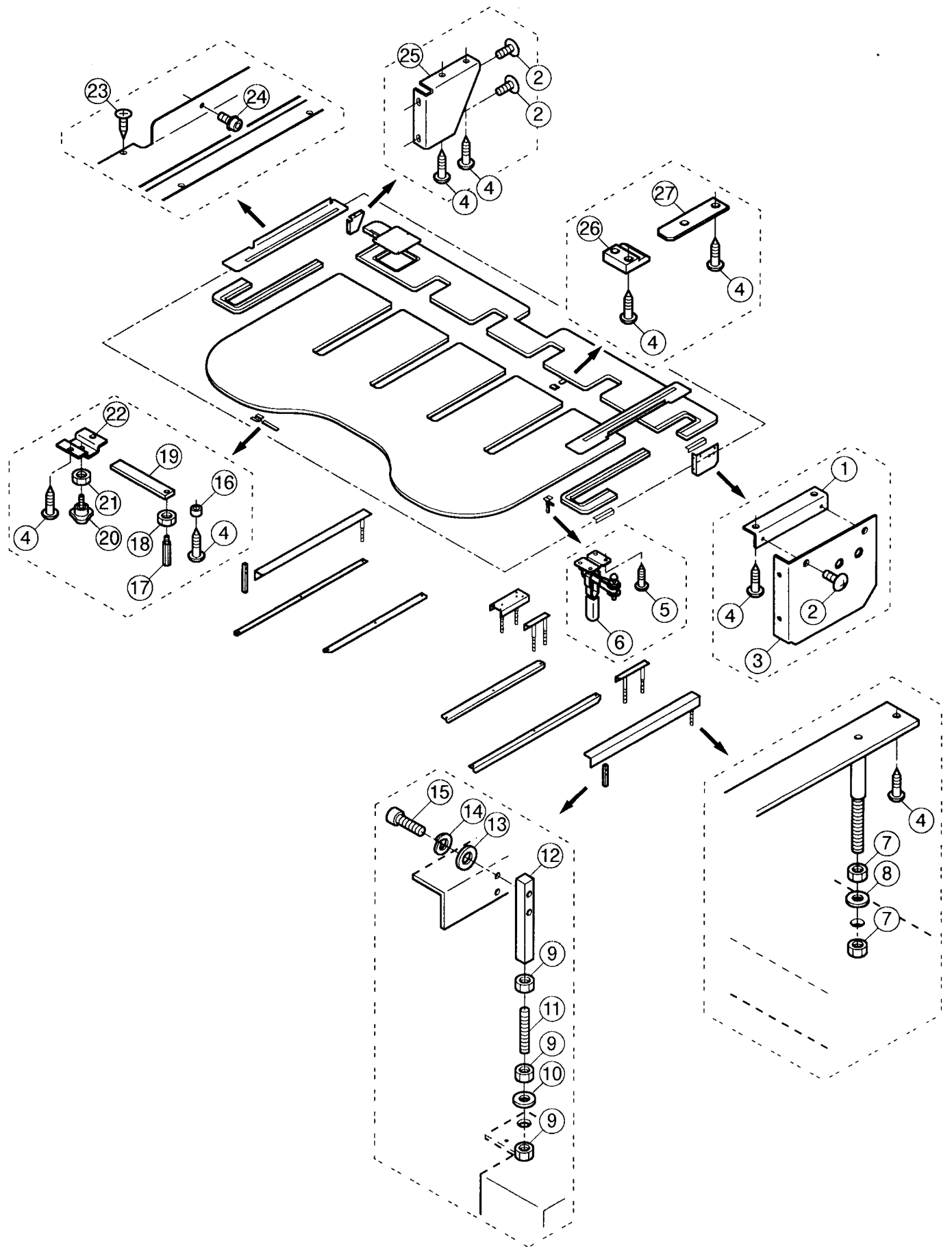
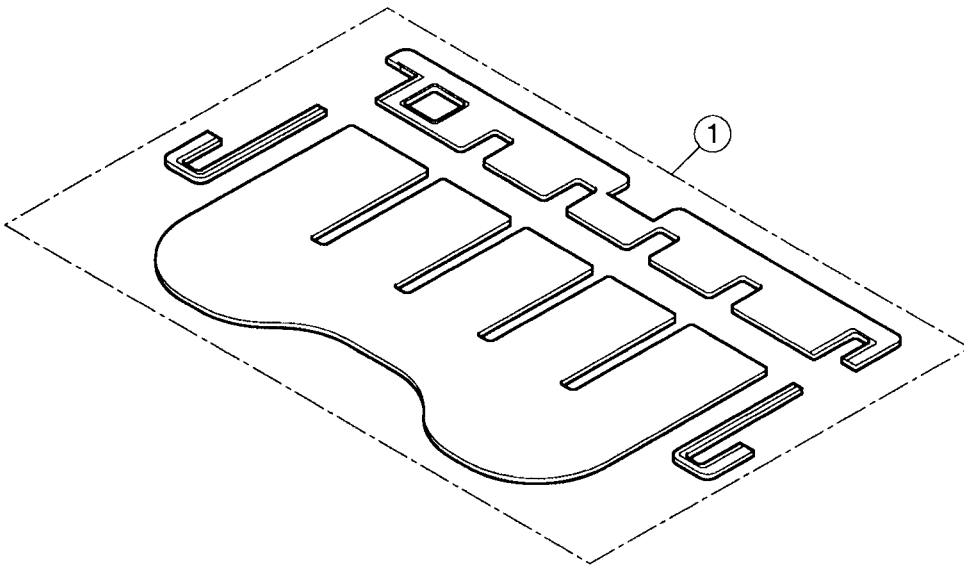
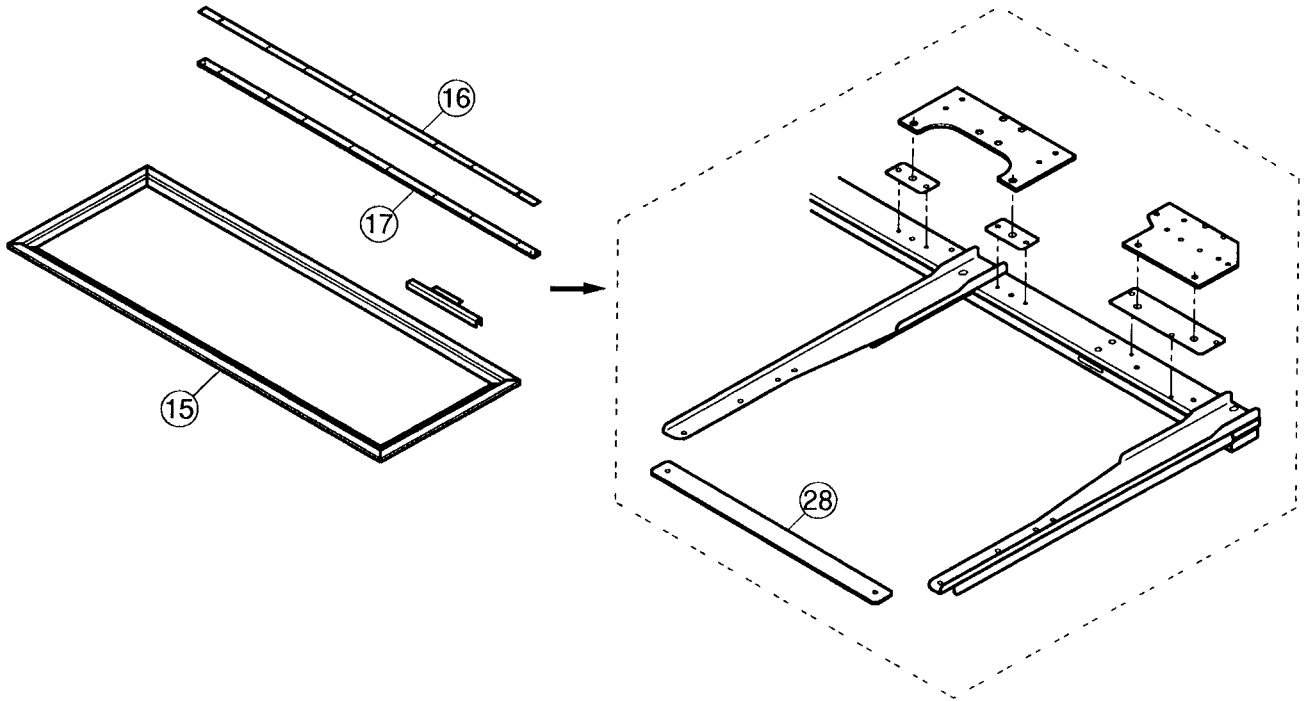


TABLE 2

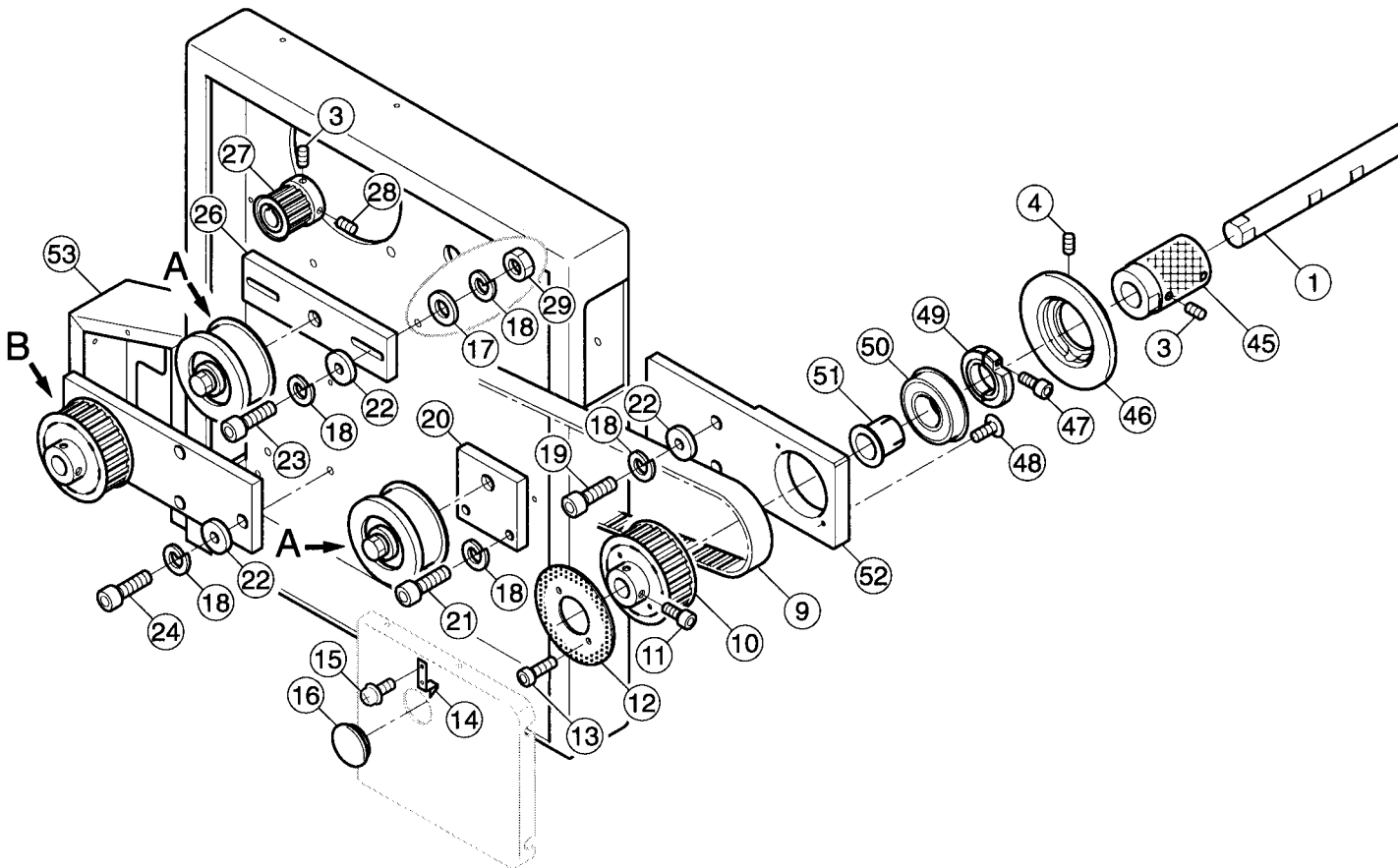
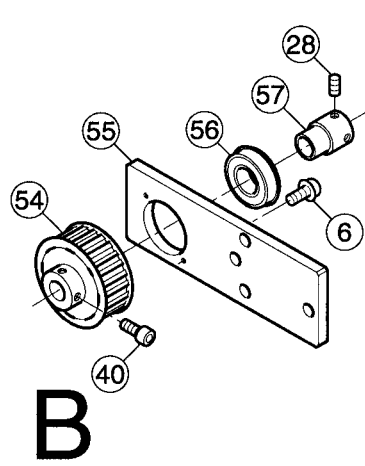
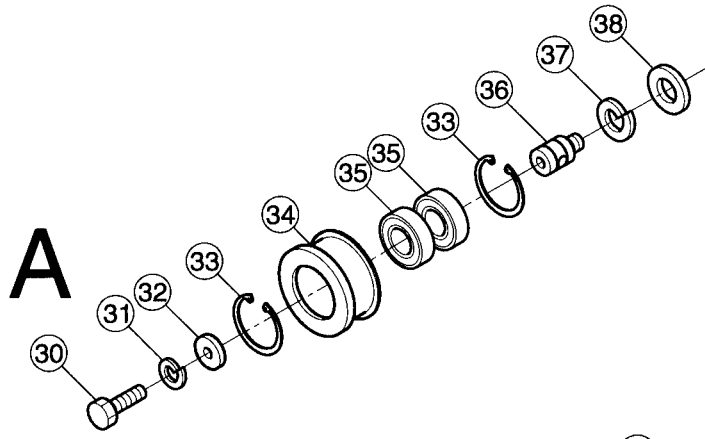
4b-1

組 Ass'y	指図 El't	部品番号 PARTS No.	PARTS NAMES	CGB9B17 NOTE / 備考
	1	HCG30620	Table support bracket A	
	2	STAB04006	Truss head screw (cross recessed, M4x6)	
	3	→1a	Table support C (side)	
	4	SKAB5A020	Round head wood screw (cross recessed head, 5.1x20)	
	5	SKAB3E016	Round head wood screw (cross recessed head, 3.5x16)	
	6	MPZ01990	Toggle clamp	
	7	NHAD12000	Hexagon nut (M12)	
	8	WPAD12000	Plain washer (M12)	
	9	NHAD10000	Hexagon nut (M10)	
	10	WPAD10000	Plain washer (M10)	
	11	HCG30230	Table support screw	
	12	HCG30670	Table support stud	
	13	WPAA06000	Plain washer (M6)	
	14	WSAA06000	Spring lock washer (M6)	
	15	SCAA06025	Hexagon socket head cap screw (M6x25)	
	16	M0412241	Plastic ring	
	17	M0410041	Stud	
	18	NHAD05000	Hexagon nut (M5)	
	19	HCM34060	Table prop B	
	20	MPZ01080	Knob bolt (M6)	
	21	NHAD06000	Hexagon nut (M6)	
	22	HCM34050	Table prop A	
	23	SNAB3A010	Flat head tapping screw (cross recessed head, 3.1x10)	
	24	SCBD04008	Hexagon socket head cap screw with flange (M4x8)	
	25	HCG30630	Table support bracket B	
	26	HCG30360	Table prop block	
	27	HCG30201	Table prop plate	



指図 / El't PARTS NAMES		1 Table set	1 5 Embroidery frame ass'y	1 6 Tubular frame bracket (upper)	1 6 Cap frame bracket (upper)
機種 MODEL	1 2 0 6 B	HCG30501	HCG937070	HCG37300	HCG37320
	1 0 0 6 B	HCG30501	HCG937070	HCG37300	HCG37320
	X 1 2 0 4 B	HCG30700	HCG937080	HCG37401	HCG37420
	X 1 0 0 4 B	HCG30700	HCG937080	HCG37401	HCG37420
	1 2 0 4 B	HCG30760	HCG937090	HCG37260	HCG37280
	1 0 0 4 B	HCG30760	HCG937090	HCG37260	HCG37280
	1 2 0 2 B	HCG30790	HCG937100	HCG37251	HCG37270
	1 0 0 2 B	HCG30790	HCG937100	HCG37251	HCG37270

指図 / El't PARTS NAMES		1 7 Tubular frame bracket (lower)	1 7 Cap frame bracket (lower)	2 8 Pitch gauge	
機種 MODEL	1 2 0 6 B	HCG37310	HCG37330	HCM53032	
	1 0 0 6 B	HCG37310	HCG37330	HCM53032	
	X 1 2 0 4 B	HCG37410	HCG37430	HCM53052	
	X 1 0 0 4 B	HCG37410	HCG37430	HCM53052	
	1 2 0 4 B	HCG37220	HCG37240	HCM53032	
	1 0 0 4 B	HCG37220	HCG37240	HCM53032	
	1 2 0 2 B	HCG37210	HCG37230	HCM53052	
	1 0 0 2 B	HCG37210	HCG37230	HCM53052	

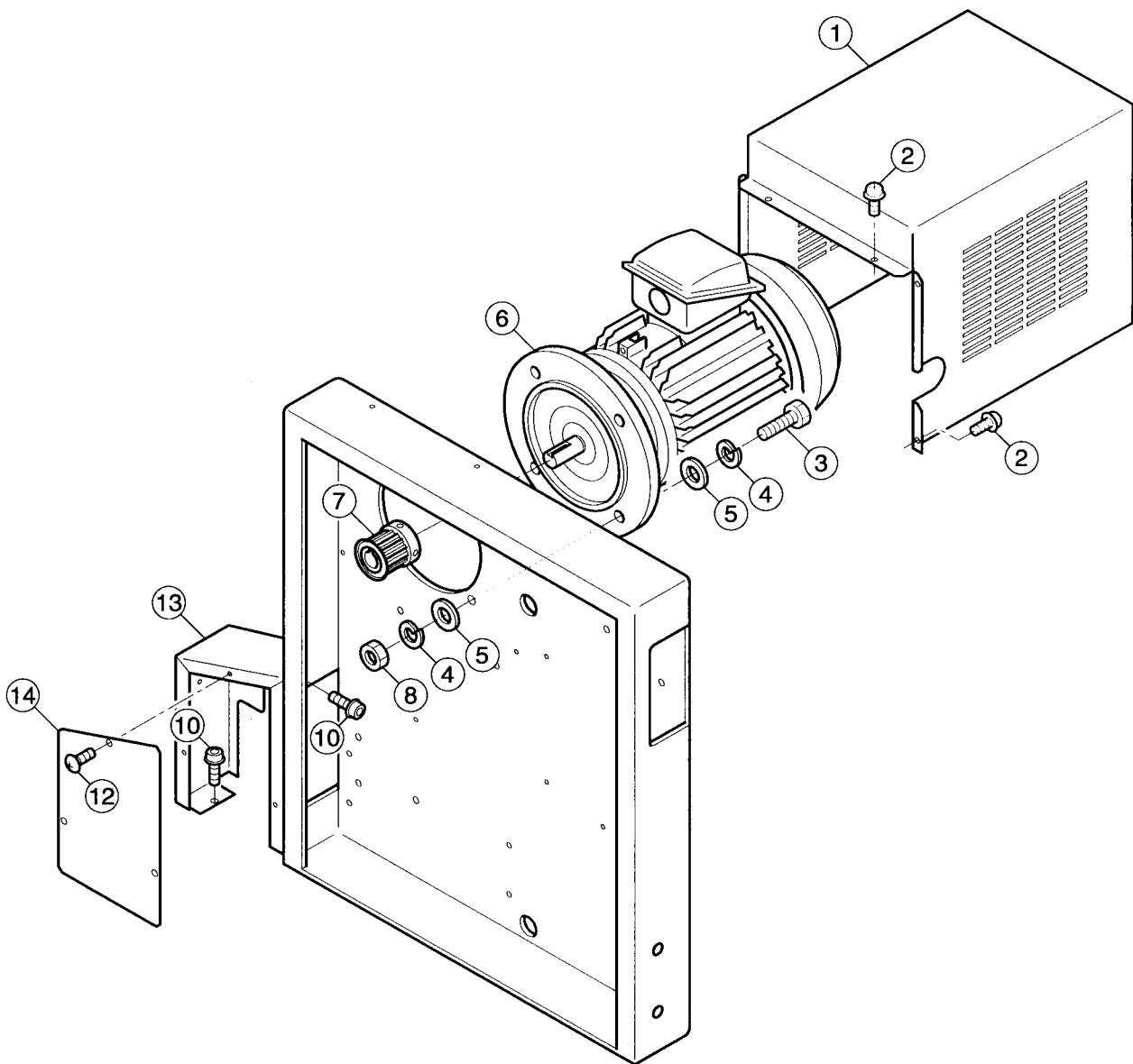


TRANSMISSION UNIT 1

CGa2426

6a-1

Ass'y	El't	Parts No.	Parts Names	Note
	1	→2a	Upper shaft (by model)	
	3	SSAA06010	Hexagon socket set screw (M6x10)	
	4	SSAA05008	Hexagon socket set screw (M5x8)	
	6	SPBB04008	Pan head screw (cross recessed, M4x8)	
	9	MPV00540	Timing belt	
	10	HCG02340	Upper shaft pulley	
	11	SCAA06008	Hexagon socket head cap screw (M6x8)	
	12	HCG02091	Dial	
	13	SCAA04006	Hexagon socket head cap screw (M4x6)	
	14	HCG02430	Pointer	
	15	SPDD03006	Pan head screw (cross recessed, M3x6)	
	16	M0408150	Rubber cap (small)	
	17	WPAA06000	Plain washer (M6)	
	18	WSAA06000	Spring lock washer (M6)	
	19	SCAA06020	Hexagon socket head cap screw (M6x20)	
	20	HCG02330	Tension plate B	
	21	SCAA06015	Hexagon socket head cap screw (M6x15)	
	22	M0408160	Washer	
	23	SCAA06025	Hexagon socket head cap screw (M6x25)	
	24	SCAA06018	Hexagon socket head cap screw (M6x18)	
	26	HCG02320	Tension plate A	
	27	HCG02361	Motor pulley	
	28	SSAA06008	Hexagon socket set screw (M6x8)	
	29	NHAA06000	Hexagon nut (M6)	
	30	SHAD08015	Hexagon head bolt (M8x15)	
	31	WSAA08000	Spring lock washer (M8)	
	32	SF402130	Tension washer	
	33	MPR00440	JO-ring (JO-42)	
	34	HCG02372	Tension pulley	
	35	MPB00030	Bearing (6004LLU)	
	36	HCG02380	Tension shaft	
	37	WSAA12000	Spring lock washer (M12)	
	38	WPAA12000	Plain washer (M12)	
	40	SCAA06010	Hexagon socket head cap screw (M6x10)	
	44	→2a	Lower shaft (by model)	
	45	HCG02690	Upper shaft collar B	
	46	HCG60170	Main drive wheel C	
	47	SCAA05020	Hexagon socket head cap screw (M5x20)	
	48	STAB04006	Truss head screw (cross recessed, M4x6)	
	49	HCG02660	Fasten collar	
	50	MPB00880	Bearing (6205ZZNR)	
	51	HCG02670	Bush	
	52	HCG02620	Upper shaft plate	
	53	HCG02550	Pulley box 2	
	54	HCG02650	Lower shaft pulley	
	55	HCG02630	Lower shaft plate	
	56	MPB00860	Bearing (6004ZZNR)	
	57	HCG02680	Lower shaft collar	

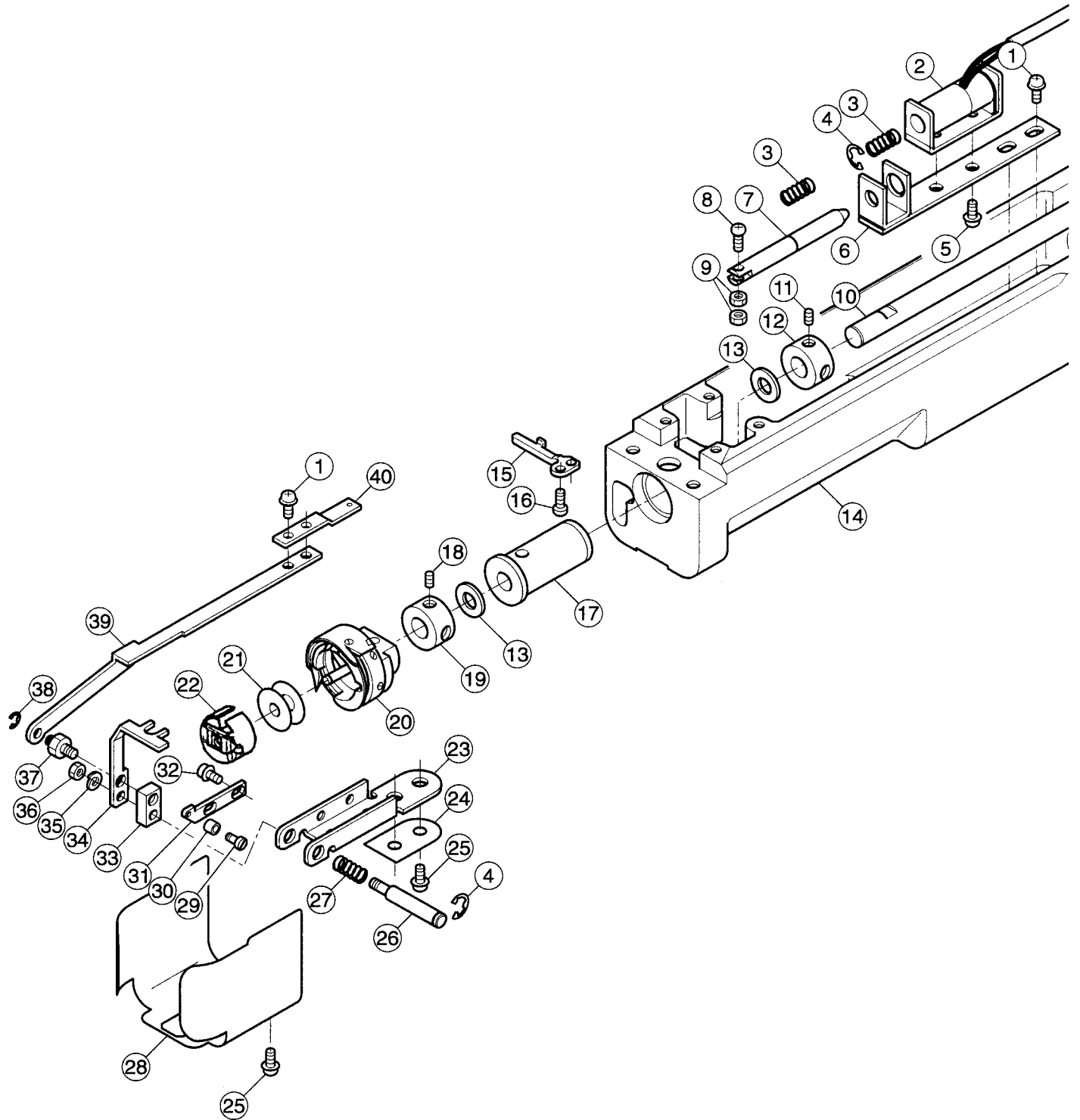


TRANSMISSION UNIT 2

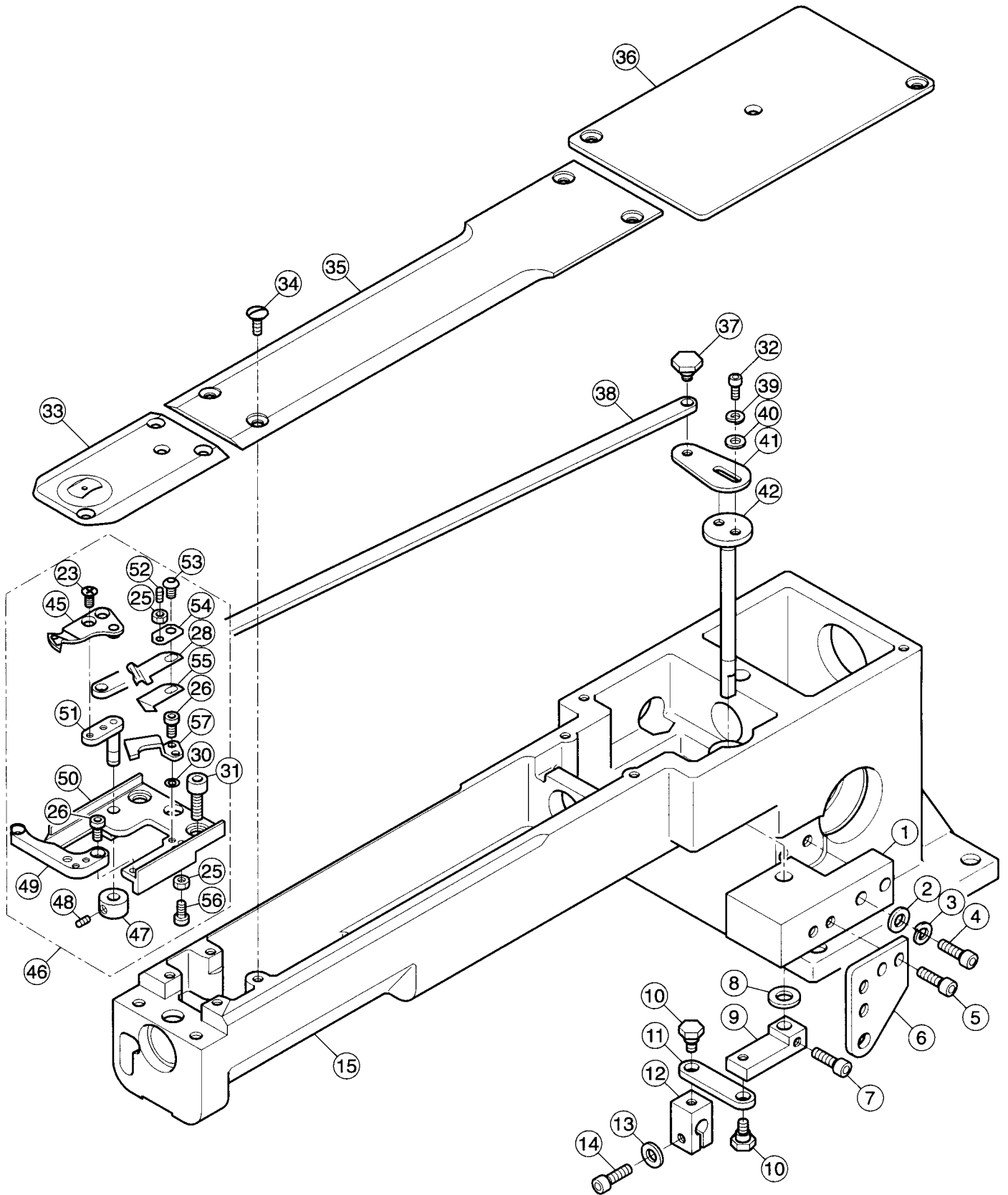
CGa2426

6b-1

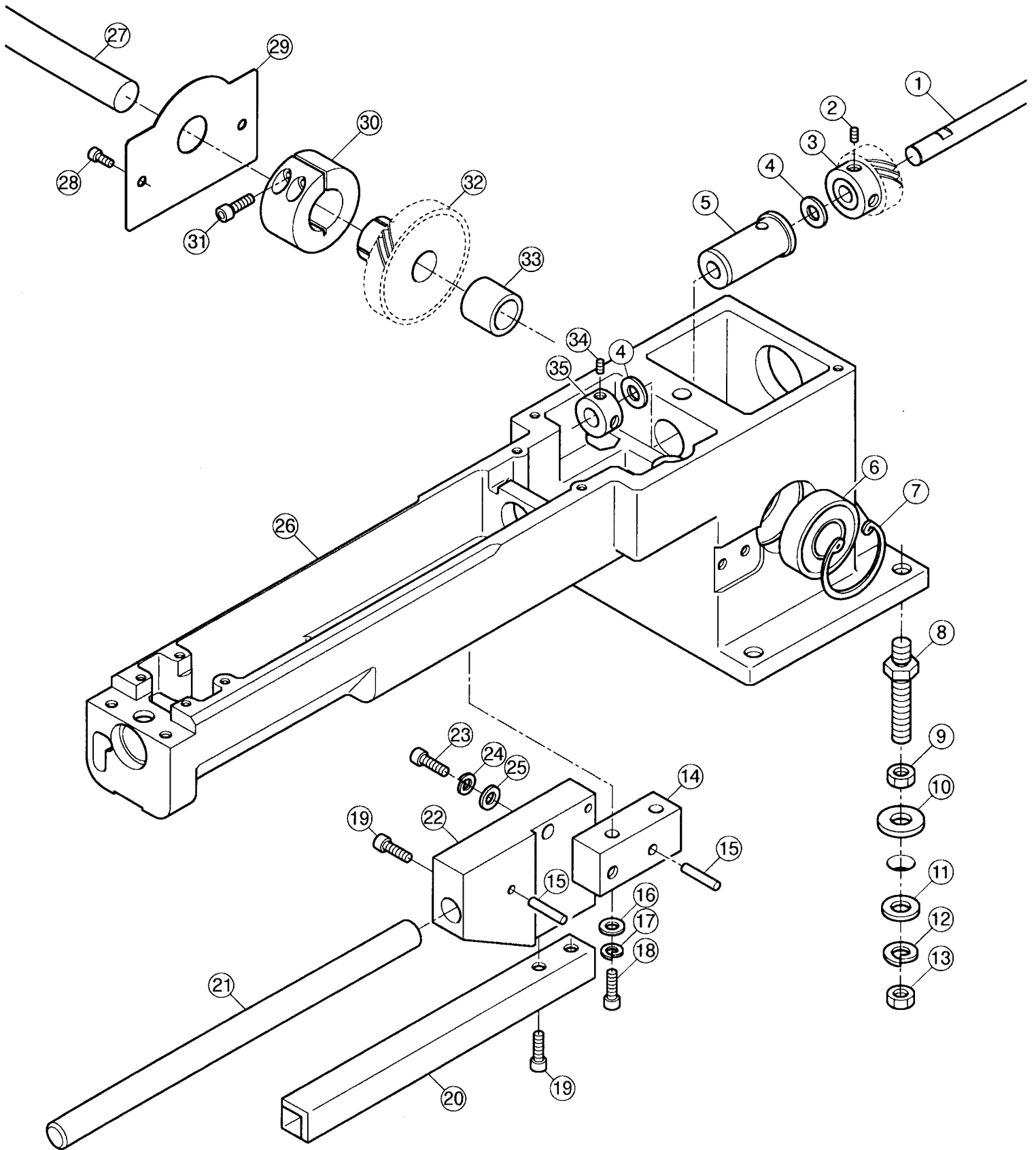
Ass'y	El't	Parts No.	Parts Names	Note
	1	HCG02503	Motor cover	
	2	SPDB04008	Pan head screw (cross recessed, M4x8)	
	3	SHAD08030	Hexagon head bolt (M8x30)	
	4	WSAA08000	Spring lock washer (M8)	
	5	WPAA08000	Plain washer (M8)	
	6	HCG75010	Drive motor	
	7	→6a	Motor pulley	
	8	NHAA08000	Hexagon nut (M8)	
	10	SCBA04008	Hexagon socket head cap screw with flange (M4x8)	
	12	STAB04006	Truss head screw (cross recessed, M4x6)	
	13	→6a	Pulley box 2	
	14	HCG02560	Box cover 2	



組	指図	部品番号		CGB1001
Ass'y	El't	PARTS No.	PARTS NAMES	NOTE / 備考
	1	SPDB04008	Pan head screw (cross recessed, M4x8)	
	2	HCX78002	Keeper solenoid	
	3	HCM04180	Spring B	
	4	MPR00420	E-ring (E-4)	
	5	SPDB03006	Pan head screw (cross recessed, M3x6)	
	6	HCM04171	Solenoid base	
	7	HCM04191	Plunger	
	8	SPAC2C010	Pan head screw (cross recessed, M2.3x10)	
	9	NHAC2C000	Hexagon nut (M2.3)	
	10	HCM04531	Rotary hook shaft (for Y480)	
	11	SSAA04004	Hexagon socket set screw (M4x4)	
	12	HCM04680	Stopping collar A	
	13	MPB00120	Plastic thrust washer (TW0815)	
	14	HCG04014	Bed	
	15	HCM04232	Rotary hook retainer	
	16	SAAA03006	Hexagon socket button head screw (M3x6)	
	17	HCG04035	Bushing for rotary hook shaft	
	18	SSAA05006	Hexagon socket set screw (M5x6)	
	19	HMF04190	Stopping collar	
	20	MPZ00050	Rotary hook	
	20	MPZ00540	Rotary hook (for thick thread)	
	21	MPZ00550	Bobbin	
	22	MPZ00080	Bobbin case	
	23	HCM04144	Shaft holder	
	24	HCM04650	Hinge spacer	
	25	SPDB04010	Pan head screw (cross recessed, M4x10)	
	26	HCM04160	Keeper shaft	
	27	HCM04150	Spring A	
	28	HCG04230	Keeper cover	
	29	HCM04490	Stopper pin	
	30	HCM04510	Stopper	
	31	HCM04480	Stopper bracket	
	32	SCBA03006	Hexagon socket head cap screw with flange (M3x6)	
	33	HCM04131	Fulcrum block	
	34	HCM04413	Keeper	
	35	WSAD03000	Spring lock washer (M3)	
	36	NHAD03000	Hexagon nut (M3)	
	37	HCM04121	Fulcrum pin	
	38	MPR00290	E-ring (E-3)	
	39	HCM04203	Keeper actuating plate A	
	40	HCM04211	Keeper actuating plate B	



組 Ass'y	指図 Elt	部品番号 PARTS No.	PARTS NAMES	CGB1828 NOTE / 備考
	1	HCM04092	Link base	
	2	WPAA05000	Plain washer (M5)	
	3	WSAA05000	Spring lock washer (M5)	
	4	SCAA05020	Hexagon socket head cap screw (M5x20)	
	5	SCAA04010	Hexagon socket head cap screw (M4x10)	
	6	HMF04050	Support for moving shaft	
	7	SCAA04008	Hexagon socket head cap screw (M4x8)	
	8	WPAA06000	Plain washer (M6)	
	9	M0404240	Drive arm for knife	
	10	M0404263	Hinge screw for link	
	11	M0404250	Link	
	12	M0404271	Fasten block for thread cut shaft	
	13	WPAA04000	Plain washer (M4)	
	14	SCCA04015	Hexagon socket head cap screw (M4x15)	
	15	HCG04014	Bed	
46*	23	HMF04260	Flat head screw	
46*	25	NHCA03000	Hexagon nut (M3)	
46*	26	SCAA03004	Hexagon socket head cap screw (M3x4)	
46*	28	HCM04580	Bobbin thread holder	
46*	30	MPZ02230	Washer	
	31	SCAA05010	Hexagon socket head cap screw (M5x10)	
	32	SCAA03006	Hexagon socket head cap screw (M3x6)	
	33	HCM04750	Needle plate	
	34	MPZ00040	Screw for needle plate	
	35	HCM04050	Cover B (for Y480)	
	36	HCM04041	Cover A	
	37	HCM04252	Hinge screw for link	
	38	HCM04223	Rod (for Y480)	
	39	WSAA03000	Spring lock washer (M3)	
	40	WPAA03000	Plain washer (M3)	
	41	HCM04550	Link C	
	42	C0404301	Drive shaft for link	
46*	45	HCM04293	Knife	
	46	HCA04030	Thread cutting device ass'y	
46*	47	HCA04060	Knife drive shaft retainer	
46*	48	SSAA04004	Hexagon socket set screw (M4x4)	
46*	49	HCA04070	Rotary hook retainer base	
46*	50	HCA04040	Thread cutting device base	
46*	51	HCA04050	Knife drive shaft	
46*	52	SSAA03003	Hexagon socket set screw (M3x3)	
46*	53	SAAA03005	Hexagon socket button head screw (M3x5)	
46*	54	HCA04090	Holder retainer	
46*	55	HCA04082	Holder support	
46*	56	SCAA03012	Hexagon socket head cap screw (M3x12)	
46*	57	HCA04100	Fixed knife	

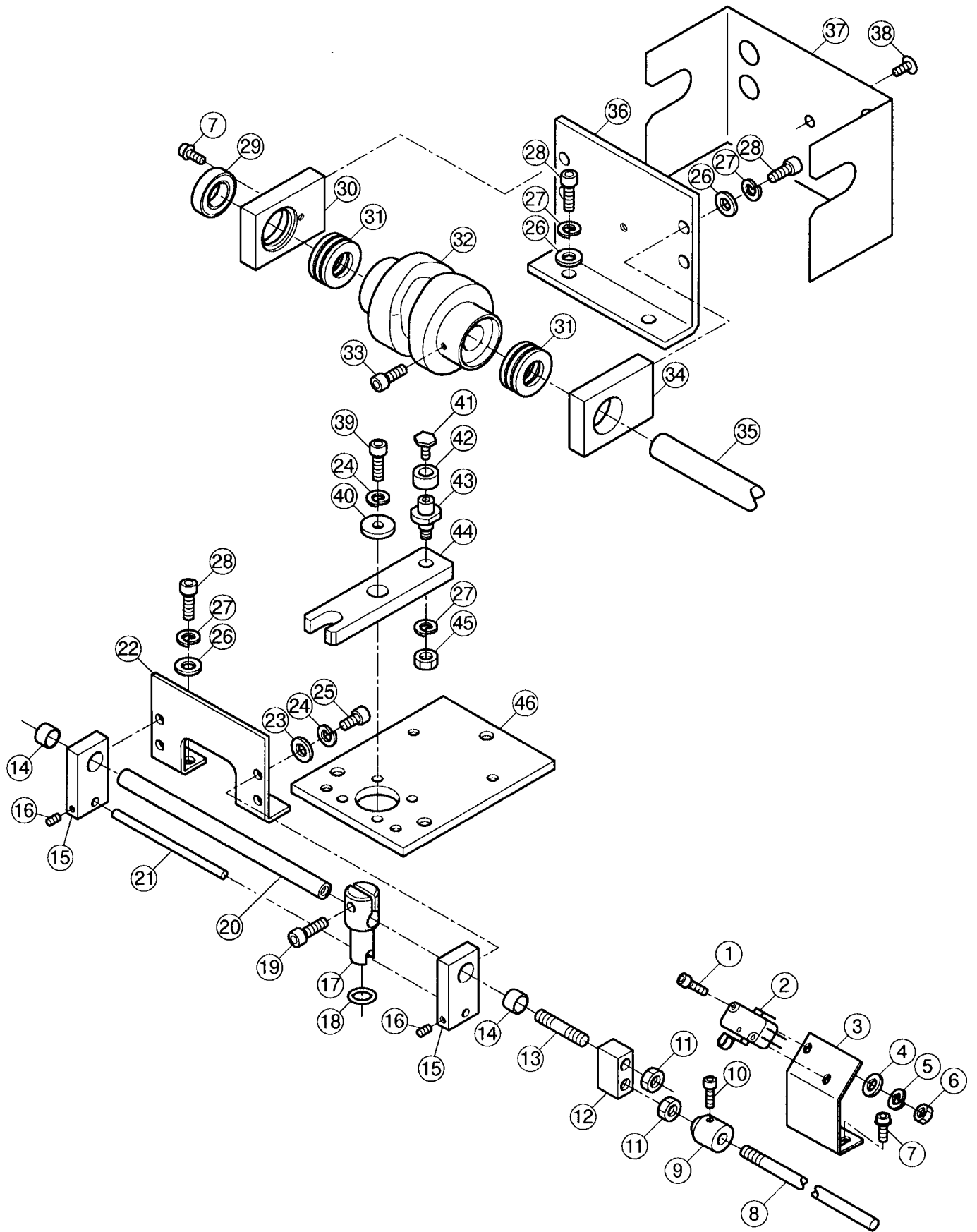


組 Ass'y	指図 Elt	部品番号 PARTS No.	PARTS NAMES	CGB0926 NOTE / 備考
	1	HCM04531	Rotary hook shaft (for Y480)	
	2	SSAA05008	Hexagon socket set screw (M5x8)	
	3	HMF04060	Gear for rotary hook shaft	
	4	MPB00120	Plastic thrust washer (TW0815)	
	5	HCG04035	Bushing for rotary hook shaft	
	6	MPB00150	Bearing (6202LLU)	
	7	MPR00410	C-ring (C-35)	
	8	HCG04200	Stud	
	9	NHBA08000	Hexagon nut (M8)	
	10	HCG04211	Washer	
	11	WPAA08000	Plain washer (M8)	
	12	WSAA08000	Spring lock washer (M8)	
	13	NHAA08000	Hexagon nut (M8)	
	14	HCM04540	Holder (for Y480, standard hook)	
	15	MPP00090	Spring pin (4x20)	
	16	WPAA05000	Plain washer (M5)	
	17	WSAA05000	Spring lock washer (M5)	
	18	SCAA05035	Hexagon socket head cap screw (M5x35)	
	19	SCAD06010	Hexagon socket head cap screw (M6x10)	
	20	FRA43872	Guide shaft for cap frame	
	21	FRA43860	Fulcrum shaft for cap frame	
	22	HCM04672	Fulcrum shaft holder	
	23	SCAA06035	Hexagon socket head cap screw (M6x35)	
	24	WSAA06000	Spring lock washer (M6)	
	25	WPAA06000	Plain washer (M6)	
	26	HCG04014	Bed	
	27	→2a	Lower shaft (by model)	
	28	SCAA04006	Hexagon socket head cap screw (M4x6)	
	29	C0404031	Side cover	
	30	M0404123	Fasten collar	
	31	SCAA04015	Hexagon socket head cap screw (M4x15)	
	32	SF404070	Drive spiral gear	
	33	SF404030	Spiral gear collar	
	34	SSAA04004	Hexagon socket set screw (M4x4)	
	35	HCM04680	Stopping collar A	

THREAD CUTTING DRIVER 1

CGB8601

8a-1



THREAD CUTTING DRIVER 1

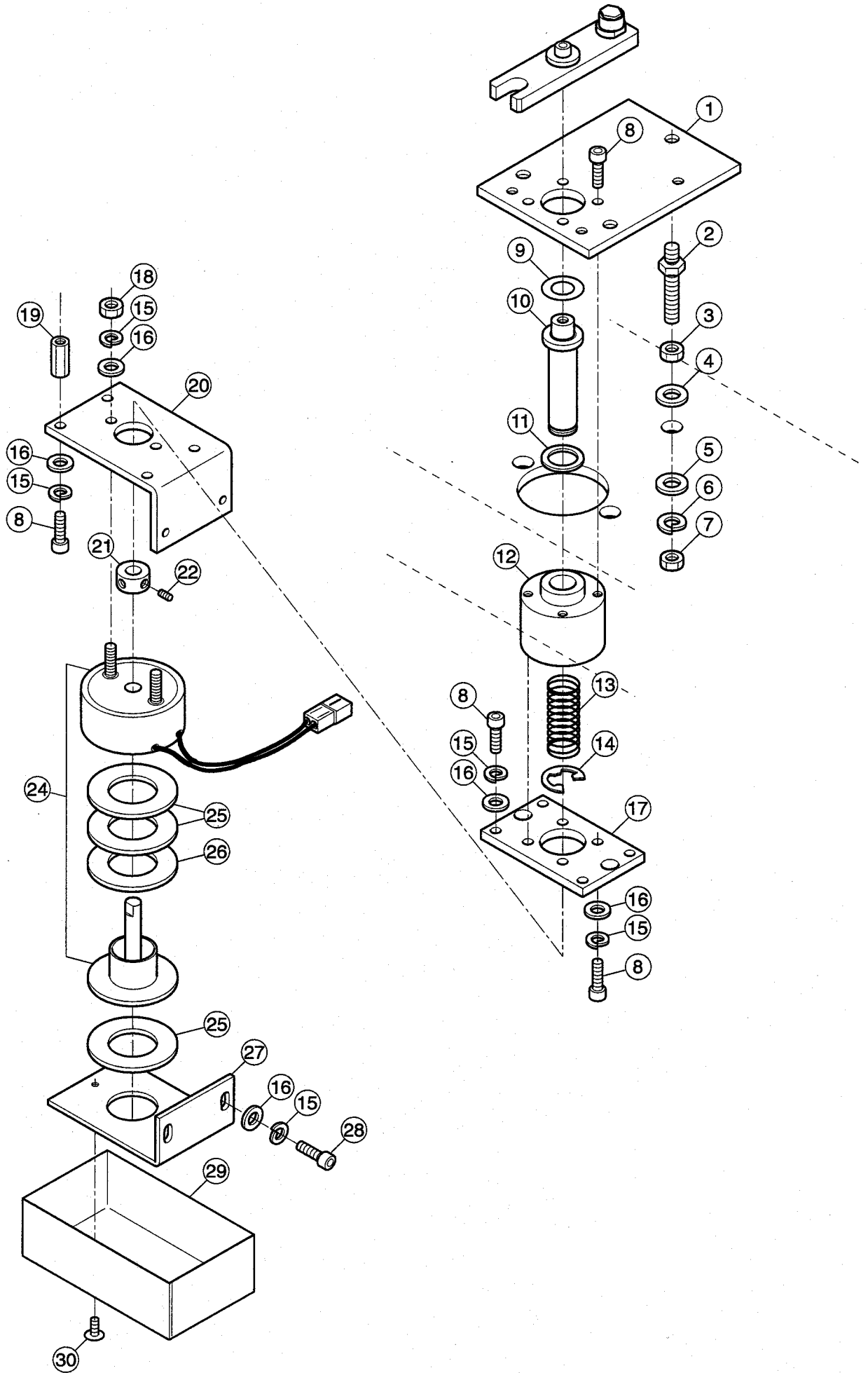
8a-1

組 Ass'y	指図 El't	部品番号 PARTS No.	PARTS NAMES	CGB8601 NOTE / 備考
	1	SCAA03015	Hexagon socket head cap screw (M3x15)	
	2	EPS00010	Micro switch	
	3	HCG06370	Micro switch bracket	
	4	WPAA03000	Plain washer (M3)	
	5	WSAA03000	Spring lock washer (M3)	
	6	NHAA03000	Hexagon nut (M3)	
	7	SCBA04008	Hexagon socket head cap screw with flange (M4x8)	
	8	→9a	Moving shaft (by model)	
	9	M0406101	LS dog	
	10	SCAA04008	Hexagon socket head cap screw (M4x8)	
	11	M0404280	Nut	
	12	HCG06320	Connecting block	
	13	HCG06300	Bolt	
	14	MPB00740	Bushing	
	15	HCG06280	Shaft support	
	16	SSAA04008	Hexagon socket set screw (M4x8)	
	17	M0406142	Lever drive pin	
	18	MPR00490	O-Ring (P-11)	
	19	SCAA06020	Hexagon socket head cap screw (M6x20)	
	20	M0406161	Slide shaft	
	21	HCG06310	Guide pin	
	22	HCG06291	Shaft support bracket	
	23	WPAA05000	Plain washer (M5)	
	24	WSAA05000	Spring lock washer (M5)	
	25	SCAA05012	Hexagon socket head cap screw (M5x12)	
	26	WPAA06000	Plain washer (M6)	
	27	WSAA06000	Spring lock washer (M6)	
	28	SCAA06015	Hexagon socket head cap screw (M6x15)	
	29	MPB00730	Bearing (6902ZZ)	
	30	HCG06220	Cam support left	
	31	MPB00160	Thrust bearing (51102)	
	32	HCA06090	Cam for thread cutting driver	
	33	SCAA06012	Hexagon socket head cap screw (M6x12)	
	34	HCG06210	Cam support right	
	35	→2a	Lower shaft (by model)	
	36	HCG06240	Cam support bracket	
	37	HCG06251	Cam cover	
	38	STAB05006	Truss head screw (cross recessed, M5x6)	
	39	SCAA05015	Hexagon socket head cap screw (M5x15)	
	40	M0406410	Washer	
	41	M0406211	Roller screw	
	42	M0406220	Thread cutting roller	
	43	M0406231	Roller shaft	
	44	HCG06270	Cam lever	
	45	NHAA06000	Hexagon nut (M6)	
	46	HCG06200	Cam support base	

THREAD CUTTING DRIVER 2

CGB1828

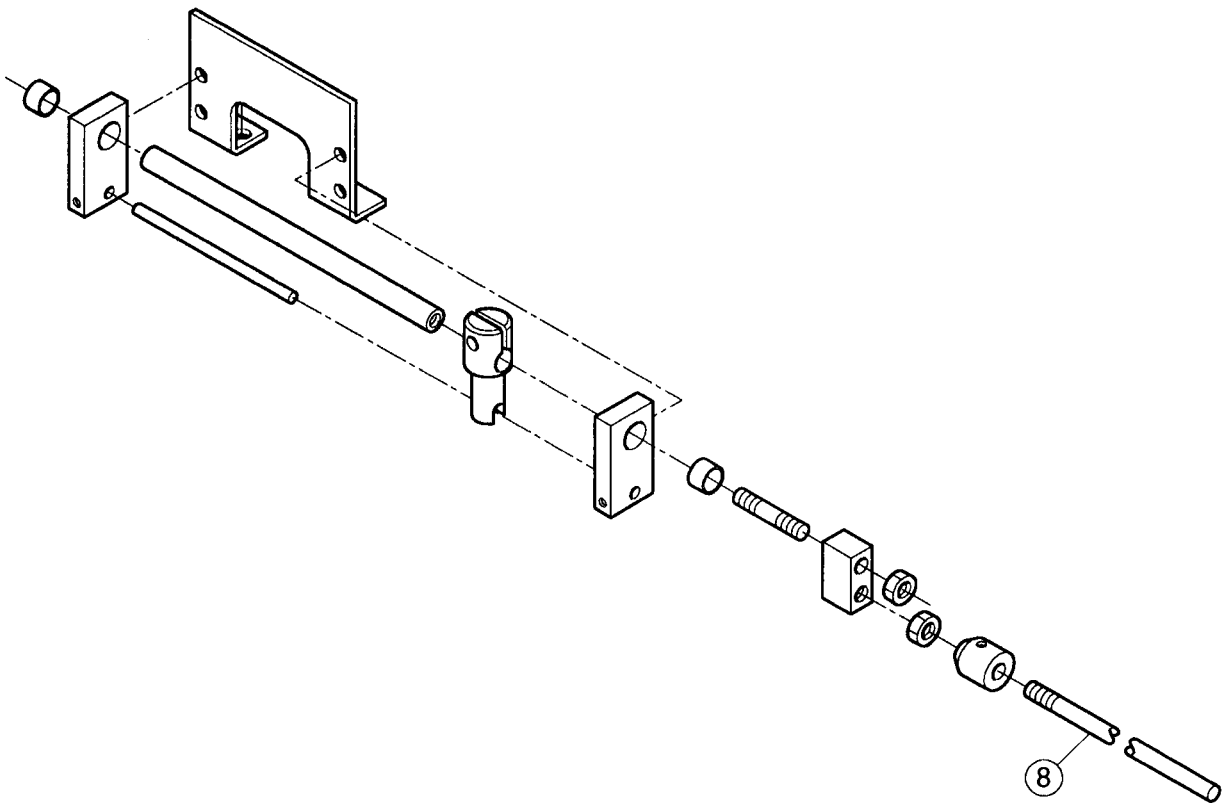
8b-1



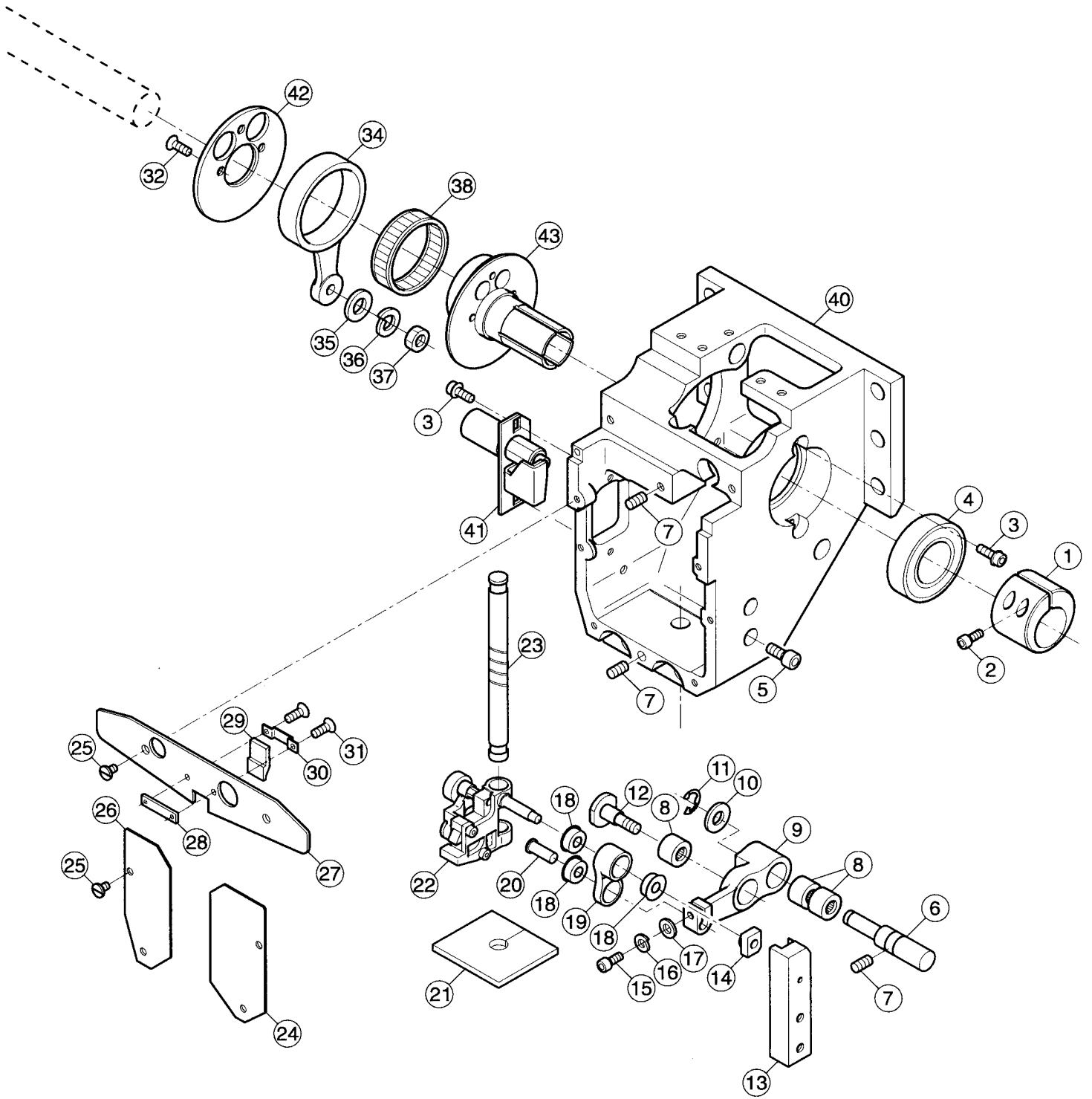
THREAD CUTTING DRIVER 2

8b-1

組 Ass'y	指図 Elt	部品番号 PARTS No.	PARTS NAMES	CGB1828 NOTE / 備考
	1	HCG06200	Cam support base	
	2	HCG04200	Stud	
	3	NHCA08000	Hexagon nut (M8)	
	4	HCG04211	Washer	
	5	WPAD08000	Plain washer (M8)	
	6	WSAD08000	Spring lock washer (M8)	
	7	NHAD08000	Hexagon nut (M8)	
	8	SCAA05015	Hexagon socket head cap screw (M5x15)	
	9	HCG06380	Washer	
	10	M0406252	Lever shaft	
	11	M0406260	Urethane washer	
	12	HCG06330	Lever shaft support	
	13	M0406050	Lever spring	
	14	MPR00430	E-ring (E-12)	
	15	WSAA05000	Spring lock washer (M5)	
	16	WPAA05000	Plain washer (M5)	
	17	HCG06341	Solenoid base	
	18	NHAA05000	Hexagon nut (M5)	
	19	HMF06050	Solenoid stud	
	20	HCG06350	Fixing plate	
	21	HMF04190	Collar	
	22	SSAA05006	Hexagon socket set screw (M5x6)	
	24	HMX78020	Thread cutting solenoid	
	25	M0406010	Solenoid felt	
	26	HCG06400	Solenoid felt B	
	27	HCG06020	Felt base	
	28	SCAA05010	Hexagon socket head cap screw (M5x10)	
	29	HCG06360	Solenoid cover	
	30	STAB04006	Truss head screw (cross recessed, M4x6)	



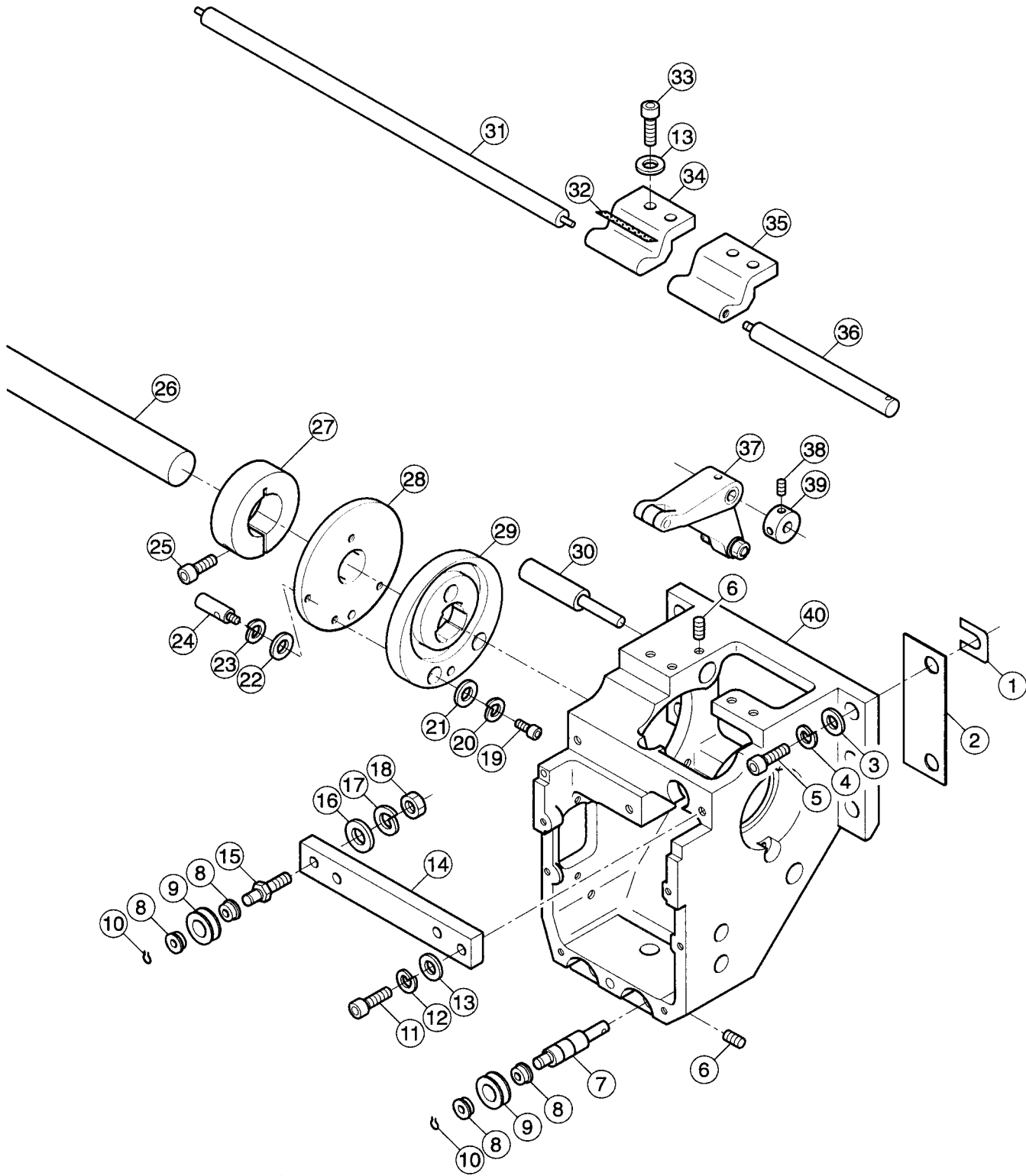
指図 / E/t PARTS NAMES		8 Moving shaft		
機種 MODEL	1 2 0 6 B	HMF06220		
	1 0 0 6 B	HMF06220		
	X 1 2 0 4 B	HMF06200		
	X 1 0 0 4 B	HMF06200		
	1 2 0 4 B	HCG06050		
	1 0 0 4 B	HCG06050		
	1 2 0 2 B	HCG06061		
	1 0 0 2 B	HCG06061		



FIXED HEAD 1

10a-1

組 Ass'y	指図 El't	部品番号 PARTS No.	PARTS NAMES	CGB1828 NOTE / 備考
	1	HCG08042	Fasten collar	
	2	SCAA04015	Hexagon socket head cap screw (M4x15)	
	3	SCBA04008	Hexagon socket head cap screw with flange (M4x8)	
	4	MPB00670	Bearing (6005LLB)	
	5	SCAA05012	Hexagon socket head cap screw (M5x12)	
	6	HCG08082	Pin (for needle bar driving lever)	
	7	SSAA05008	Hexagon socket set screw (M5x8)	
	8	MPB00680	Needle bearing (RNAO-8x15x10T2)	
	9	HCG08062	Needle bar driving lever	
	10	WPAA08000	Plain washer (M8)	
	11	MPR00060	E-ring (E-7)	
	12	HCG08073	Pin (for coupling rod)	
	13	HCG08140	Guide rail	
	14	M0408230	Slide block	
	15	SCAA04012	Hexagon socket head cap screw (M4x12)	
	16	WSAA04000	Spring lock washer (M4)	
	17	WPBA04000	Plain washer (M4)	
	18	MPB00660	Miniature bearing (LFW686ZZA)	
	19	HCG08092	Link	
	20	HCG08102	Pin (for link)	
	21	HMG08150	Felt (for fixed head)	
	22	HCA08022	Needle bar driver	
	23	HMF08040	Slide shaft	
	24	HMG08110	Lower face plate (right)	
	25	M0408440	Face plate screw	
	26	HMG08100	Lower face plate (feft)	
	27	HMG08120	Upper face plate C	
	28	M0408430	Plate nut	
	29	HMG08130	Cushion B	
	30	M0408423	Holding plate	
	31	SGAB2E005	Flat head screw (cross recessed head, M2.5x5)	
	32	SCDA04008	Hexagon socket flat head screw (M4x8)	
	34	HCG08051	Connecting rod	
	35	WPAA06000	Plain washer (M6)	
	36	WSAA06000	Spring lock washer (M6)	
	37	NHAA06000	Hexagon nut (M6)	
	38	MPB00690	Needle bearing (K40x45x13)	
	40	HCG08390	Fixed head B	
	41	HMF08290	Jump solenoid ass'y	
	42	HCG08320	Plate B	
	43	HCG08340	Needle bar cam D	



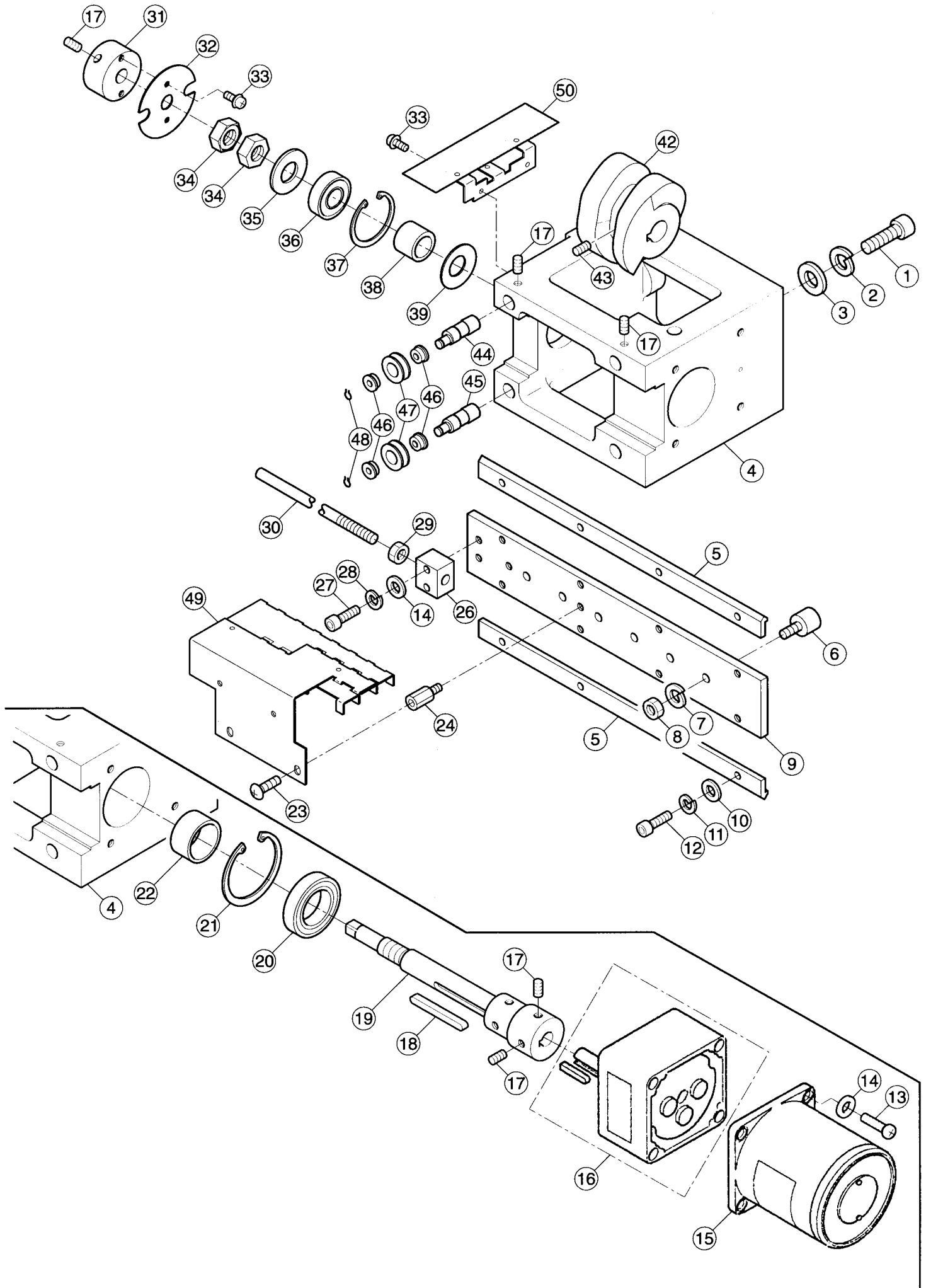
FIXED HEAD 2

10b-1

組 Ass'y	指図 El't	部品番号 PARTS No.	PARTS NAMES	CGB1914 NOTE / 備考
	1	HCG08230	Spacer (1.0mm)	
	1	HCG08240	Spacer (0.8mm)	
	1	HCG08250	Spacer (0.5mm)	
	1	HCG08260	Spacer (0.3mm)	
	1	HCG08280	Spacer (0.2mm)	
	1	HCG08270	Spacer (0.1mm)	
	2	HMF08074	Head spacer	
	3	WPAA08000	Plain washer (M8)	
	4	WSAA08000	Spring lock washer (M8)	
	5	SCAA08025	Hexagon socket head cap screw (M8x25)	
	6	SSAA05008	Hexagon socket set screw (M5x8)	
	7	HMF08172	Lower roller pin	
	8	MPB00240	Bearing (LF1060ZZ)	
	9	M0408484	Bearing case	
	10	MPR00280	DIN-ring (G-6)	
	11	SCAA05020	Hexagon socket head cap screw (M5x20)	
	12	WSAA05000	Spring lock washer (M5)	
	13	WPAA05000	Plain washer (M5)	
	14	HCG08170	Roller pin guide	
	15	HMF08062	Upper roller pin	
	16	WPAA06000	Plain washer (M6)	
	17	WSAA06000	Spring lock washer (M6)	
	18	NHAA06000	Hexagon nut (M6)	
	19	SCAA04010	Hexagon socket head cap screw (M4x10)	
	20	WSAA04000	Spring lock washer (M4)	
	21	WPBA04000	Plain washer (M4)	
	22	WPAB04000	Plain washer (M4)	
	23	WSAB04000	Spring lock washer (M4)	
	24	C0408051	Positioning pin	
	25	SCAA06020	Hexagon socket head cap screw (M6x20)	
	26	→2a	Upper shaft (by model)	
	27	C0408040	Fasten collar	
	28	C0408030	Take-up lever cam fixing plate	
	29	HMF08270	Take-up lever cam	
	30	HCG08150	Cam lever shaft	
	31	HCG08220	Take-up lever guide bar (for 1206B, 1204B type)	
	32	HMF08210	Take-up lever base tape	
	33	SCAA05015	Hexagon socket head cap screw (M5x15)	
	34	HMF08091	Take-up lever guide base (left)	
	35	HMF08101	Take-up lever guide base (right)	
	36	HMF08350	Take-up lever guide bar (for 10 needle)	
	36	HMF08360	Take-up lever guide bar (for 12 needle)	
	37	C0408065	Cam lever ass'y	
	38	SSAA04006	Hexagon socket set screw (M4x6)	
	39	HCG08160	Cam lever shaft collar	
	40	HCG08390	Fixed head B	

NEEDLE BAR CHANGE UNIT

CGB3512 11a-1



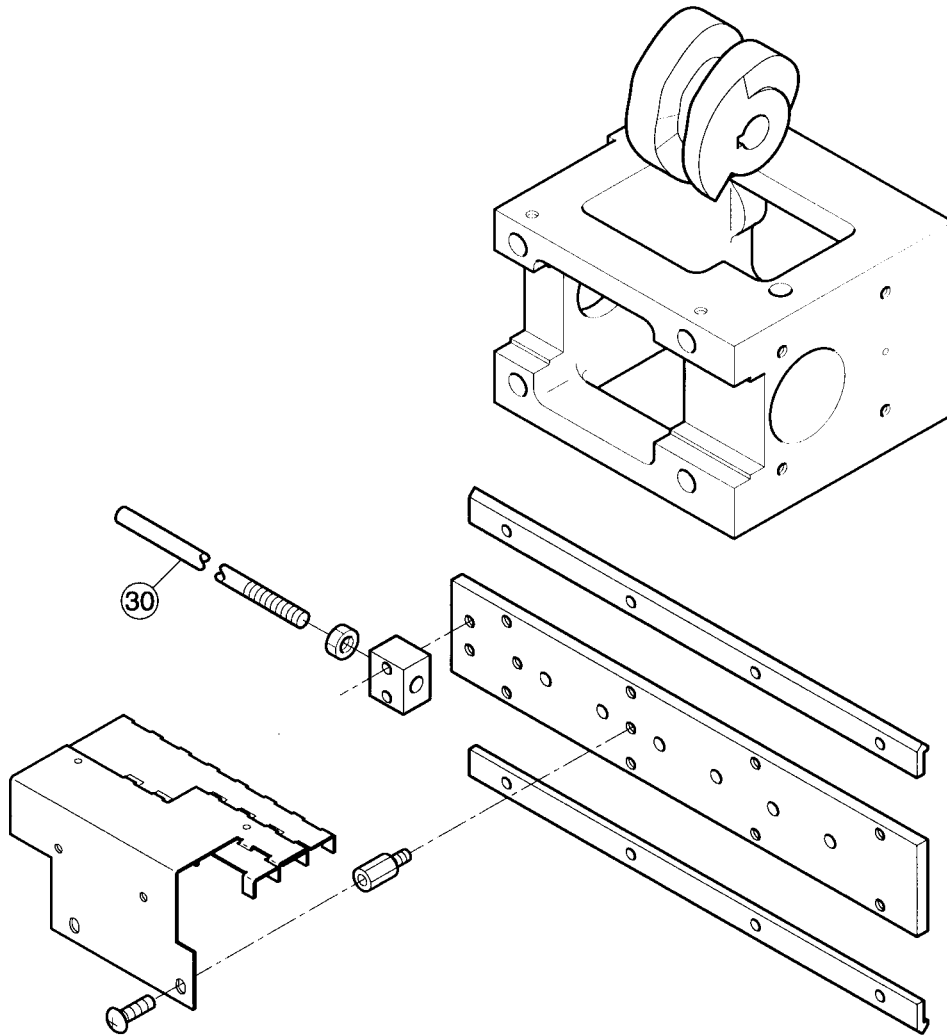
NEEDLE BAR CHANGE UNIT

11a-1

組 Ass'y	指図 El't	部品番号 PARTS No.	PARTS NAMES	CGB3512 NOTE / 備考
	1	SCAA08025	Hexagon socket head cap screw (M8x25)	
	2	WSAA08000	Spring lock washer (M8)	
	3	WPAA08000	Plain washer (M8)	
	4	HCG10111	Base	
	5	HCG10210	Rail	
	6	MPB00230	Cam follower (with nut, KR16XLL)	
	7	WSAA06000	Spring lock washer (M6)	
	8	NHAA06000	Hexagon nut (M6)	
	9	HCG10200	Slide bar	
	10	WPAD05000	Plain washer (M5)	
	11	WSAD05000	Spring lock washer (M5)	
	12	SCAD05012	Hexagon socket head cap screw (M5x12)	
	13	SPAA05050	Pan head screw (cross recessed, M5x50)	
	14	WPAA05000	Plain washer (M5)	
	15	HCG75021	Motor	
	16	EPM00390	Gear head	
	17	SSAA05008	Hexagon socket set screw (M5x8)	
	18	MPK00010	Key (both round, 5x5x47)	
	19	HMF10020	Drive shaft ass'y	
	20	MPB00610	Bearing (6905ZZ)	
	21	MPR00440	JO-ring (JO-42)	
	22	HMF10060	Collar	
	23	STAB05006	Truss head screw (cross recessed, M5x6)	
	24	MPZ02020	Spacer (BSB-515)	
	26	HCG10231	Shaft holder	
	27	SCAA05025	Hexagon socket head cap screw (M5x25)	
	28	WSAA05000	Spring lock washer (M5)	
	29	M0404280	Nut	
	30	→12a	Moving shaft (by model)	
	31	HMF10080	Slit disc boss	
	32	HMF10072	Slit disc	
	33	SPDD03006	Pan head screw (cross recessed, M3x6)	
	34	NHAB12000	Hexagon nut (M12)	
	35	WPAB14000	Plain washer (M14)	
	36	MPB00220	Bearing (6002ZZ)	
	37	MPR00070	C-ring (C-32)	
	38	M0410082	Collar A	
	39	MPS00050	Conical spring	
	42	M0410070	grooved cam	
	43	SSAA04008	Hexagon socket set screw (M4x8)	
	44	HMF10152	Upper pin	
	45	HMF10172	Lower pin	
	46	MPB00240	Bearing (LF1060ZZ)	
	47	M0408484	Bearing case	
	48	MPR00280	DIN-ring (G-6)	
	49	HMG10140	Needle bar position detecting plate	
	50	HCG83181	Needle bar position detecting board ass'y	

NEEDLE BAR CHANGE UNIT

CGB3512 12a-1



NEEDLE BAR CHANGE UNIT

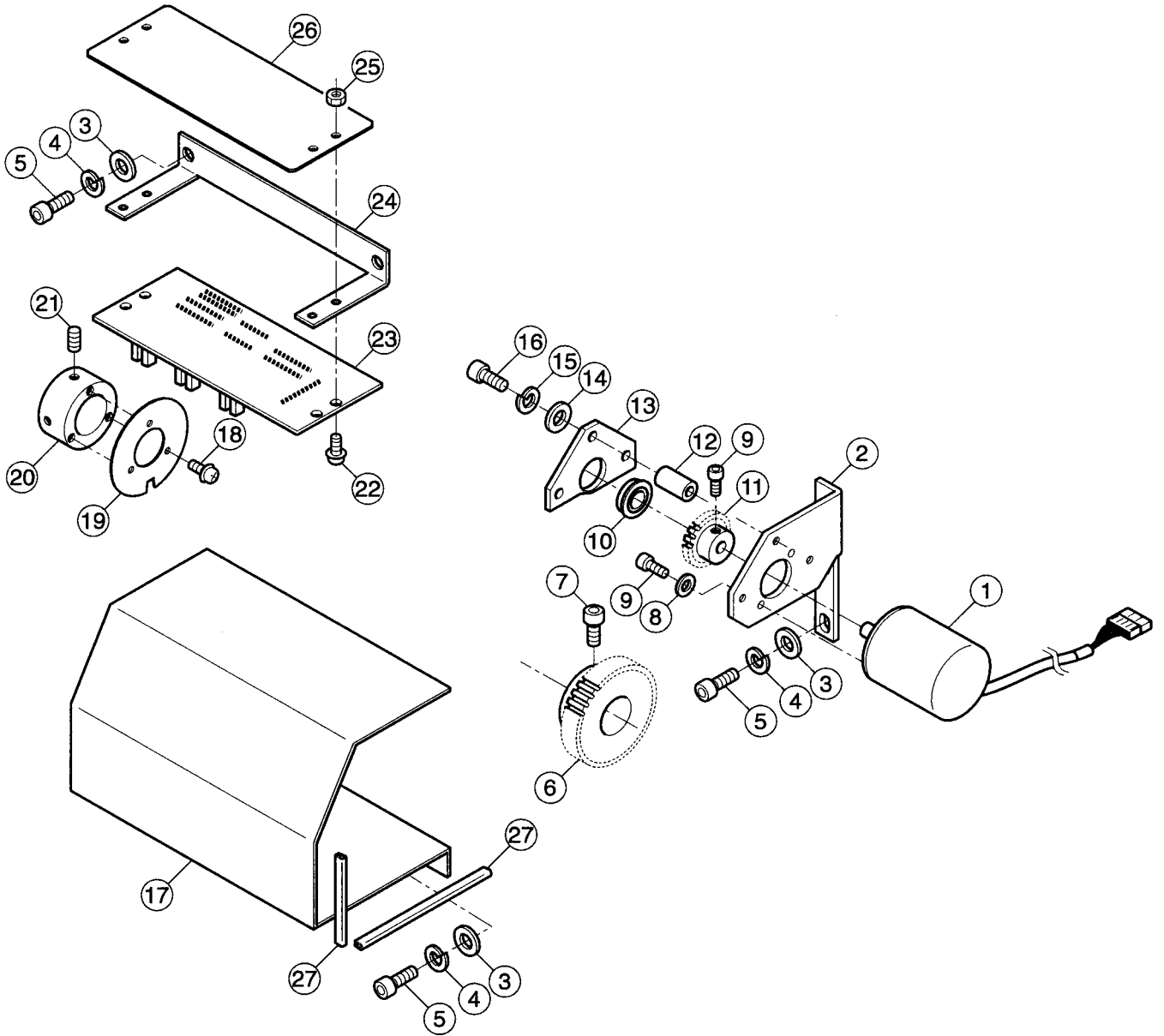
12a-1

CGB8601

指図 / El't PARTS NAMES		30 Moving shaft		
機種 MODEL	1 2 0 6 B	HMF06220		
	1 0 0 6 B	HMF06220		
	X 1 2 0 4 B	HMF06200		
	X 1 0 0 4 B	HMF06200		
	1 2 0 4 B	HCG06050		
	1 0 0 4 B	HCG06050		
	1 2 0 2 B	HCG06061		
	1 0 0 2 B	HCG06061		

TIMING DETECTING UNIT

CGB1828 13a-1



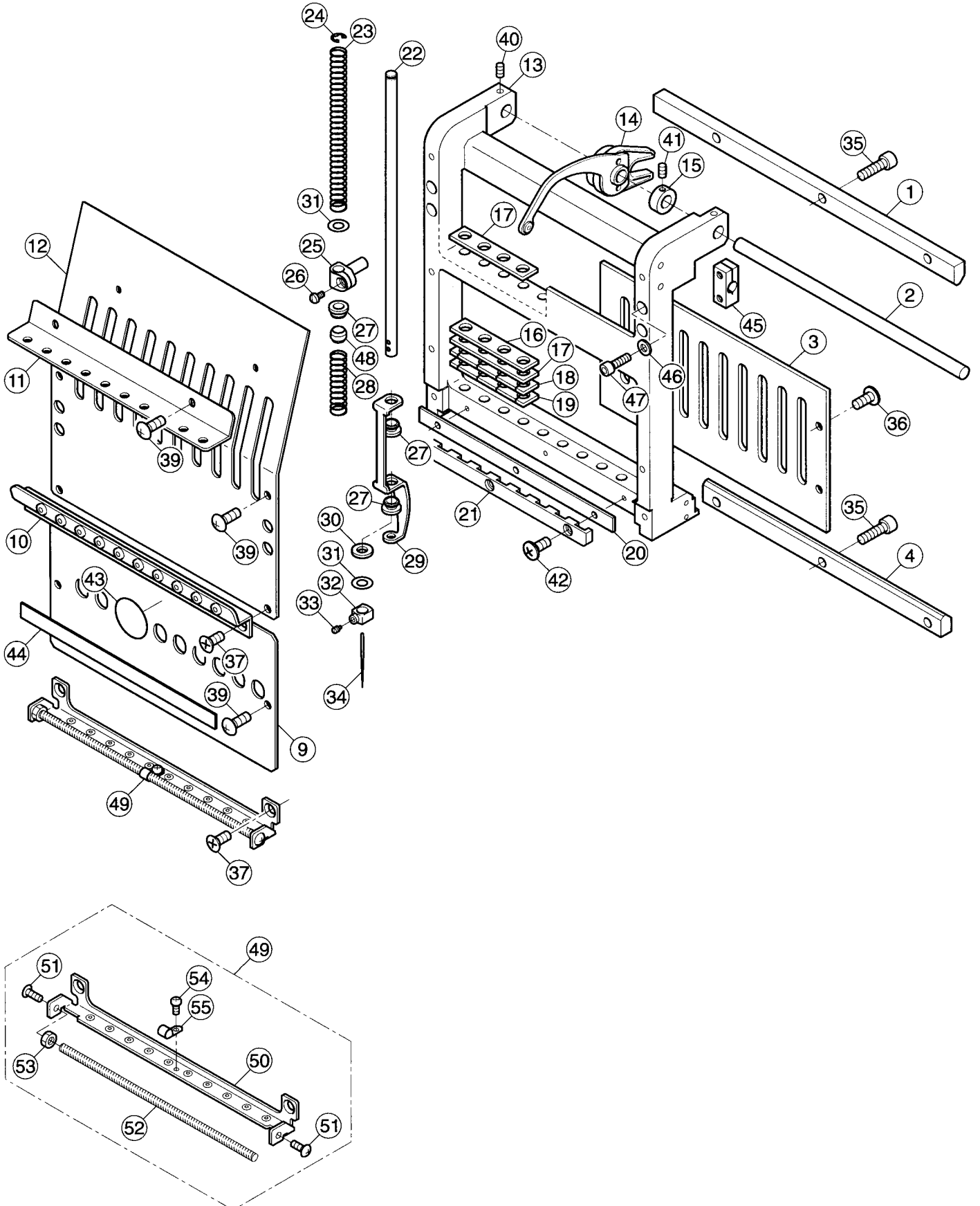
TIMING DETECTING UNIT

13a-1

組 Ass'y	指図 Elt	部品番号 PARTS No.	PARTS NAMES	CGB0623 NOTE / 備考
	1	HCG75001	Rotary encoder	
	2	HMF10194	Encoder bracket A	
	3	WPAA05000	Plain washer (M5)	
	4	WSAA05000	Spring lock washer (M5)	
	5	SCAA05012	Hexagon socket head cap screw (M5x12)	
	6	HMF10210	Encoder drive gear A	
	7	SCAA04010	Hexagon socket head cap screw (M4x10)	
	8	WPAA03000	Plain washer (M3)	
	9	SCAA03008	Hexagon socket head cap screw (M3x8)	
	10	MPB00620	Bearing (LF1680ZZ)	
	11	HMF10221	Encoder drive gear B	
	12	HMF10230	Encoder collar	
	13	HMF10203	Encoder bracket B	
	14	WPAA04000	Plain washer (M4)	
	15	WSAA04000	Spring lock washer (M4)	
	16	SCAA04028	Hexagon socket head cap screw (M4x28)	
	17	HCG10080	Encoder cover	
	18	SPCD03006	Pan head screw (cross recessed, M3x6)	
	19	HMF10610	Detecting slit disc	
	20	C0402041	Slit disc boss	
	21	SSAA05008	Hexagon socket set screw (M5x8)	
	22	SPDD03008	Pan head screw (cross recessed, M3x8)	
	23	HMF83050	Timing detecting board ass'y	
	24	HMF10251	Board bracket	
	25	NHAD03000	Hexagon nut (M3)	
	26	C0402070	Board cover	
	27	HCG10470	Edging	

MOVING HEAD 1

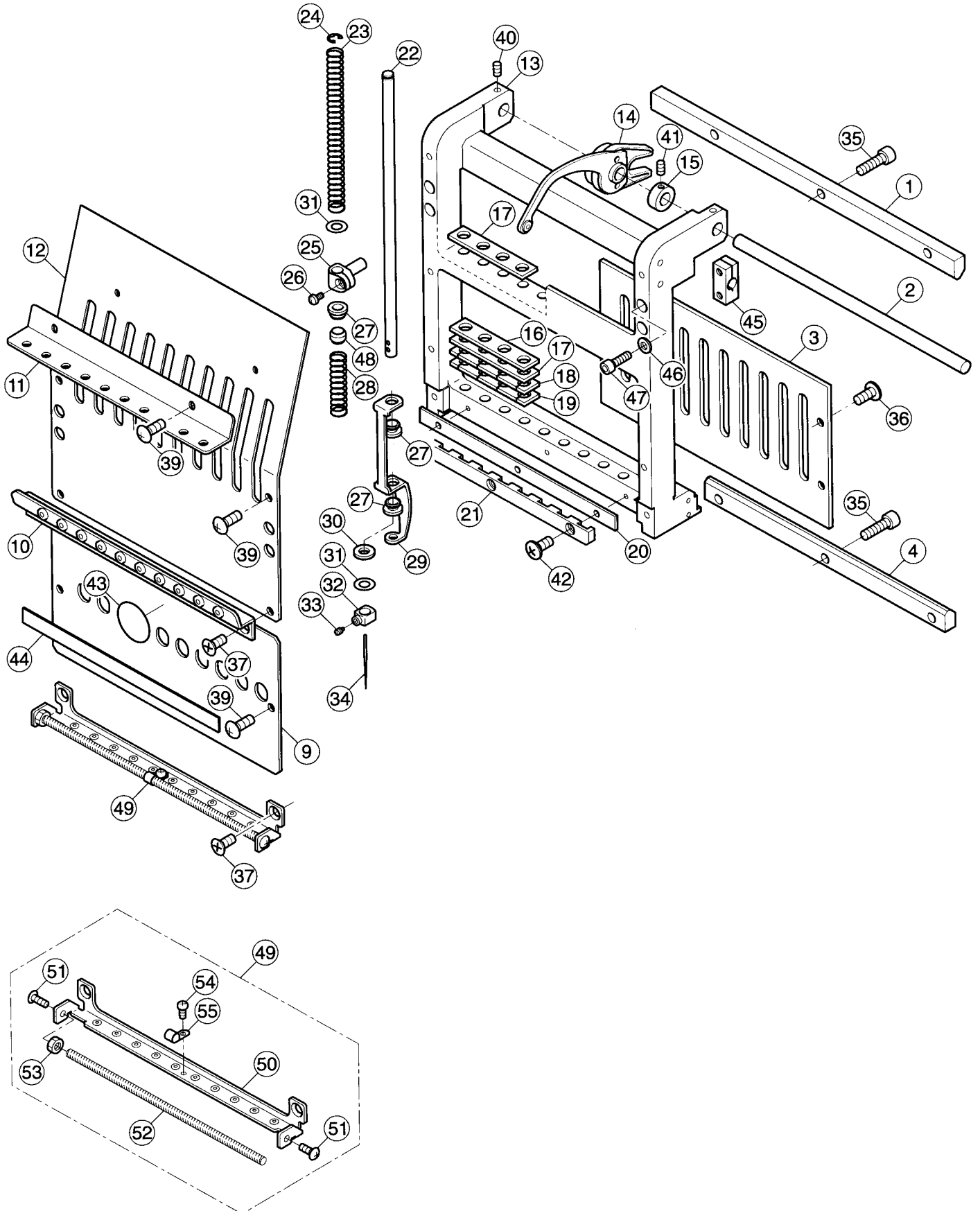
CGB9B17 14a-1



MOVING HEAD 1

14a-1

組 Ass'y	指図 Elt	部品番号 PARTS No.	PARTS NAMES	CGB1828 NOTE / 備考
	1	HCG12011	Upper rail (for 10 needle)	
	1	HCG12101	Upper rail (for 12 needle)	
	2	HMG12070	Take-up lever shaft (for 10 needle)	
	2	HMG12270	Take-up lever shaft (for 12 needle)	
	3	HMG12092	Needle bar boss check plate (for 10 needle)	
	3	HMG12291	Needle bar boss check plate (for 12 needle)	
	4	HMG12111	Lower rail (for 10 needle)	
	4	HMG12301	Lower rail (for 12 needle)	
	9	HMG12131	Lower front panel (for 10 needle)	
	9	HMG12311	Lower front panel (for 12 needle)	
	10	HMG12210	Thread guide plate B ass'y (for 10 needle)	
	10	HMG12340	Thread guide plate B ass'y (for 12 needle)	
	11	HCG12030	Thread guide plate A (for 10 needle)	
	11	HCG12110	Thread guide plate A (for 12 needle)	
	12	HCG12060	Upper front panel (for 10 needle)	
	12	HCG12140	Upper front panel (for 12 needle)	
	13	HMG13120	Moving head (for 10 needle)	
	13	HMG13110	Moving head (for 12 needle)	
	14	HMF12812	Take-up lever ass'y	
	15	HMF12152	Collar	
	16	HMG12592	Urethane sheet	
	17	HMG12582	Pressure foot felt (3.0mm)	
	18	M0412500	Pressure foot felt (1.0mm)	
	18	M0412510	Pressure foot felt (1.5mm)	
	18	M0412610	Pressure foot felt (2.0mm)	
	19	HMF12290	Adjusting sheet A	
	20	HMG12080	Pressure foot sheet (for 10 needle)	
	20	HMG12280	Pressure foot sheet (for 12 needle)	
	21	HMG12480	Pressure foot guide (for 10 needle)	
	21	HMG12490	Pressure foot guide (for 12 needle)	
	22	M0412164	Needle bar	
	23	HMF12090	Needle bar spring (upper)	
	24	MPR00080	E-ring (E-5)	
	25	M0412812	Needle bar boss	
	26	M0412200	Screw for needle bar boss	
	27	HMF12112	Bushing	
	28	HCM12011	Needle bar spring (lower)	
	29	HMG12750	Pressure foot	
	30	HMG12261	Needle holder cushion	
	31	WPBD06000	Plain washer (M6)	
	32	HMG12200	Needle holder B	
	33	HMG12230	Screw for needle holder	
	34	MPZ00150	Needle (#11)	



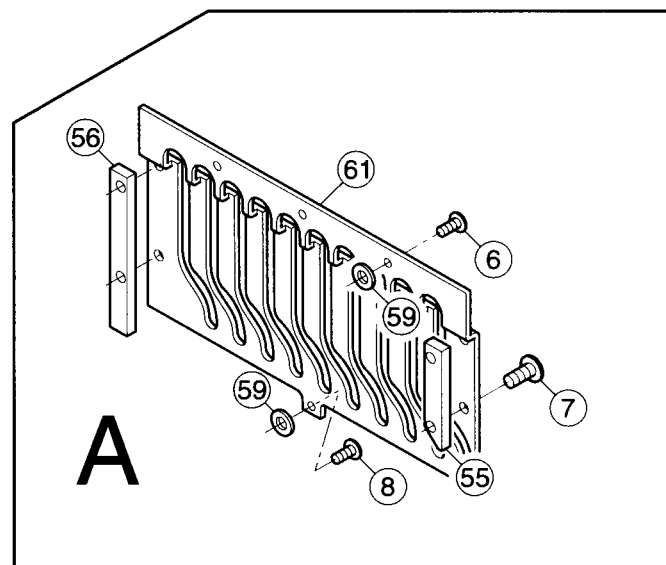
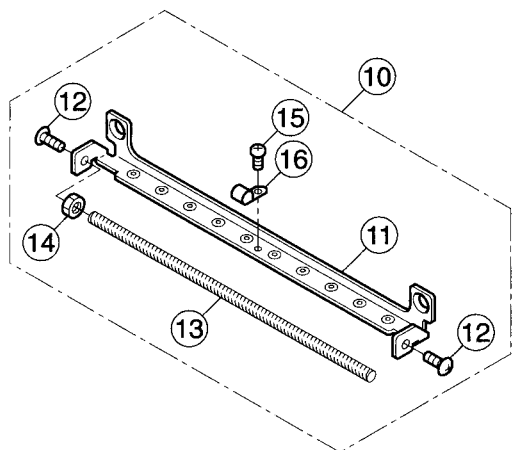
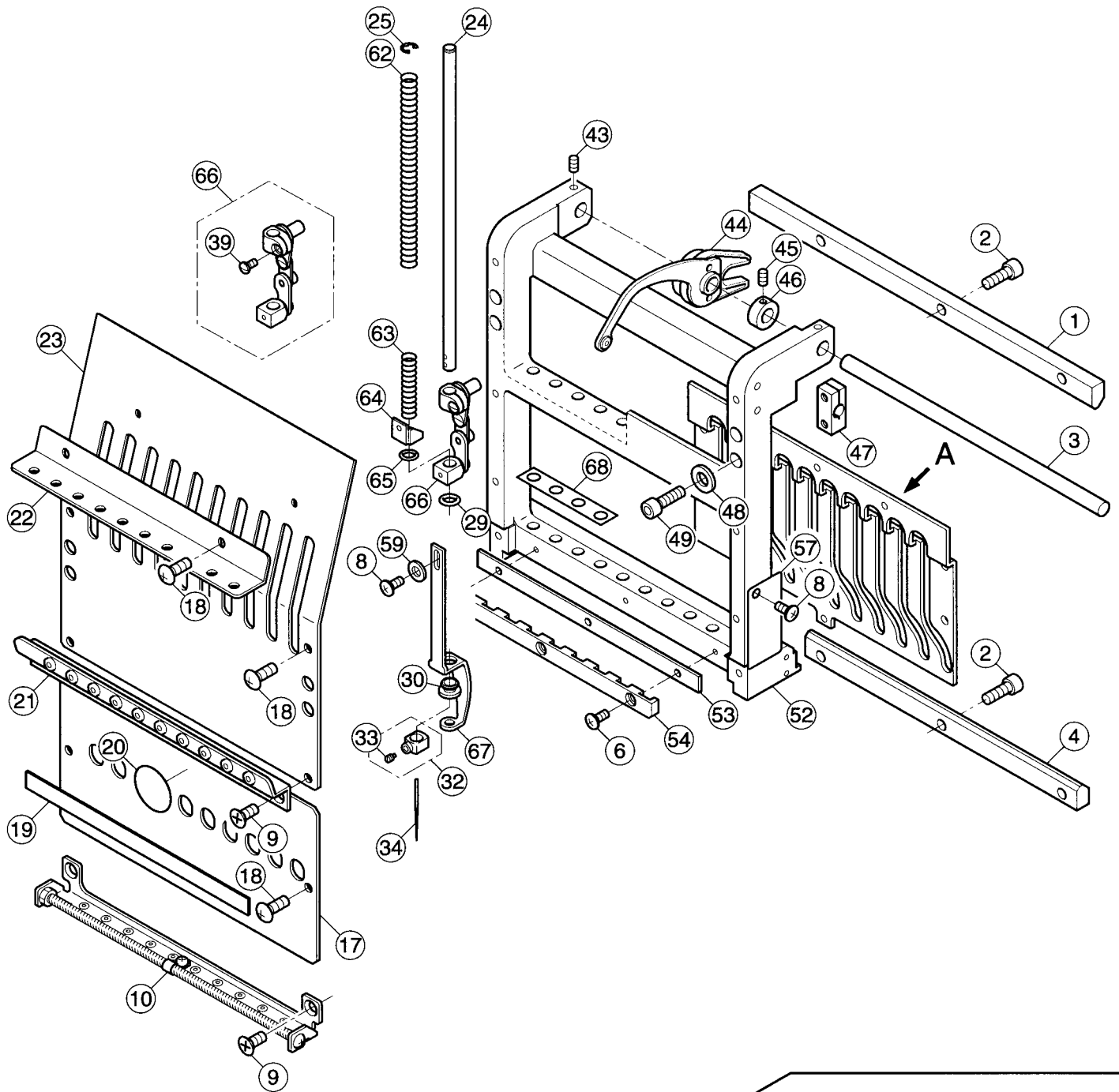
MOVING HEAD 1

14a-2

組	指図	部品番号		CGB9827
Ass'y	El't	PARTS No.	PARTS NAMES	NOTE / 備考
	35	SCAA04015	Hexagon socket head cap screw (M4x15)	
	36	SBAB04006	Binding head screw (M4x6)	
	37	SGAB04008	Flat head screw (cross recessed head, M4x8)	
	39	STAB04008	Truss head screw (cross recessed, M4x8)	
	40	SSAA04004	Hexagon socket set screw (M4x4)	
	41	SSAA03006	Hexagon socket set screw (M3x6)	
	42	SBAD03008	Binding head screw (M3x8)	
	43	-	Number sticker	
	44	HMG12470	Thread holding rubber B (for 10, 12 needle)	
	45	HMF12310	Fasten block	
	46	WPBA04000	Plain washer (M4)	
	47	SCCA04025	Hexagon socket head cap screw (M4x25)	
	48	HMG12430	Guide tube	
	49	HMG12700	Lower thread guide plate ass'y (for 10 needle)	
	49	HMG12690	Lower thread guide plate ass'y (for 12 needle)	
	50	HMG12661	Lower thread guide plate (for 10 needle)	
	50	HMG12651	Lower thread guide plate (for 12 needle)	
	51	STAB04012	Truss head screw (cross recessed, M4x12)	
	52	HMG12620	Spring (for 10 needle)	
	52	HMG12610	Spring (for 12 needle)	
	53	NHAB04000	Hexagon nut (M4)	
	54	SPAB03005	Pan head screw (cross recessed, M3x5)	
	55	HMG12600	Spring bracket	

MOVING HEAD 1

CGB1118ss 14a-1



MOVING HEAD 1

14a-1

組	指図	部品番号		CGB1118ss
Ass'y	El't	PARTS No.	PARTS NAMES	NOTE / 備考
	1	HCG12011	Upper rail (for 10 needle)	
	1	HCG12101	Upper rail (for 12 needle)	
	2	SCAA04015	Hexagon socket head cap screw (M4x15)	
	3	HMG12070	Take-up lever shaft (for 10 needle)	
	3	HMG12270	Take-up lever shaft (for 12 needle)	
	4	HMG12111	Lower rail (for 10 needle)	
	4	HMG12301	Lower rail (for 12 needle)	
	6	SBAD03008	Binding head screw (M3x8)	
	7	SBAD04014	Binding head screw (M4x14)	
	8	SBBD03005	Binding head screw (M3x5)	
	9	SGAB04008	Flat head screw (cross recessed head, M4x8)	
	10	HMG12700	Lower thread guide plate ass'y (for 10 needle)	
	10	HMG12690	Lower thread guide plate ass'y (for 12 needle)	
10*	11	HMG12661	Lower thread guide plate (for 10 needle)	
10*	11	HMG12651	Lower thread guide plate (for 12 needle)	
10*	12	STAB04012	Truss head screw (cross recessed, M4x12)	
10*	13	HMG12620	Spring (for 10 needle)	
10*	13	HMG12610	Spring (for 12 needle)	
10*	14	NHAB04000	Hexagon nut (M4)	
10*	15	SPAB03005	Pan head screw (cross recessed, M3x5)	
10*	16	HMG12600	Spring bracket	
	17	HMG12131	Lower front panel (for 10 needle)	
	17	HMG12311	Lower front panel (for 12 needle)	
	18	STAB04008	Truss head screw (cross recessed, M4x8)	
	19	HMG12470	Thread holding rubber B (for 10, 12 needle)	
	20	-	Number sticker	
	21	HMG12210	Thread guide plate B ass'y (for 10 needle)	
	21	HMG12340	Thread guide plate B ass'y (for 12 needle)	
	22	HCG12030	Thread guide plate A (for 10 needle)	
	22	HCG12110	Thread guide plate A (for 12 needle)	
	23	HCG12060	Upper front panel (for 10 needle)	
	23	HCG12140	Upper front panel (for 12 needle)	
	24	M0412164	Needle bar	
	25	MPR00080	E-ring (E-5)	
	29	MPR00500	O-ring (P-7)	
	30	HMF12112	Bushing	
	32	HMG12200	Needle holder B	
32*	33	HMG12230	Screw for needle holder	
	34	MPZ00150	Needle (#11)	
66*	39	M0412200	Screw for needle bar boss	
	43	SSAA04004	Hexagon socket set screw (M4x4)	
	44	HMF12812	Take-up lever ass'y	
	45	SSAA03006	Hexagon socket set screw (M3x6)	
	46	HMF12152	Collar	
	47	HMF12310	Fasten block	
	48	WPBA04000	Plain washer (M4)	
	49	SCCA04025	Hexagon socket head cap screw (M4x25)	

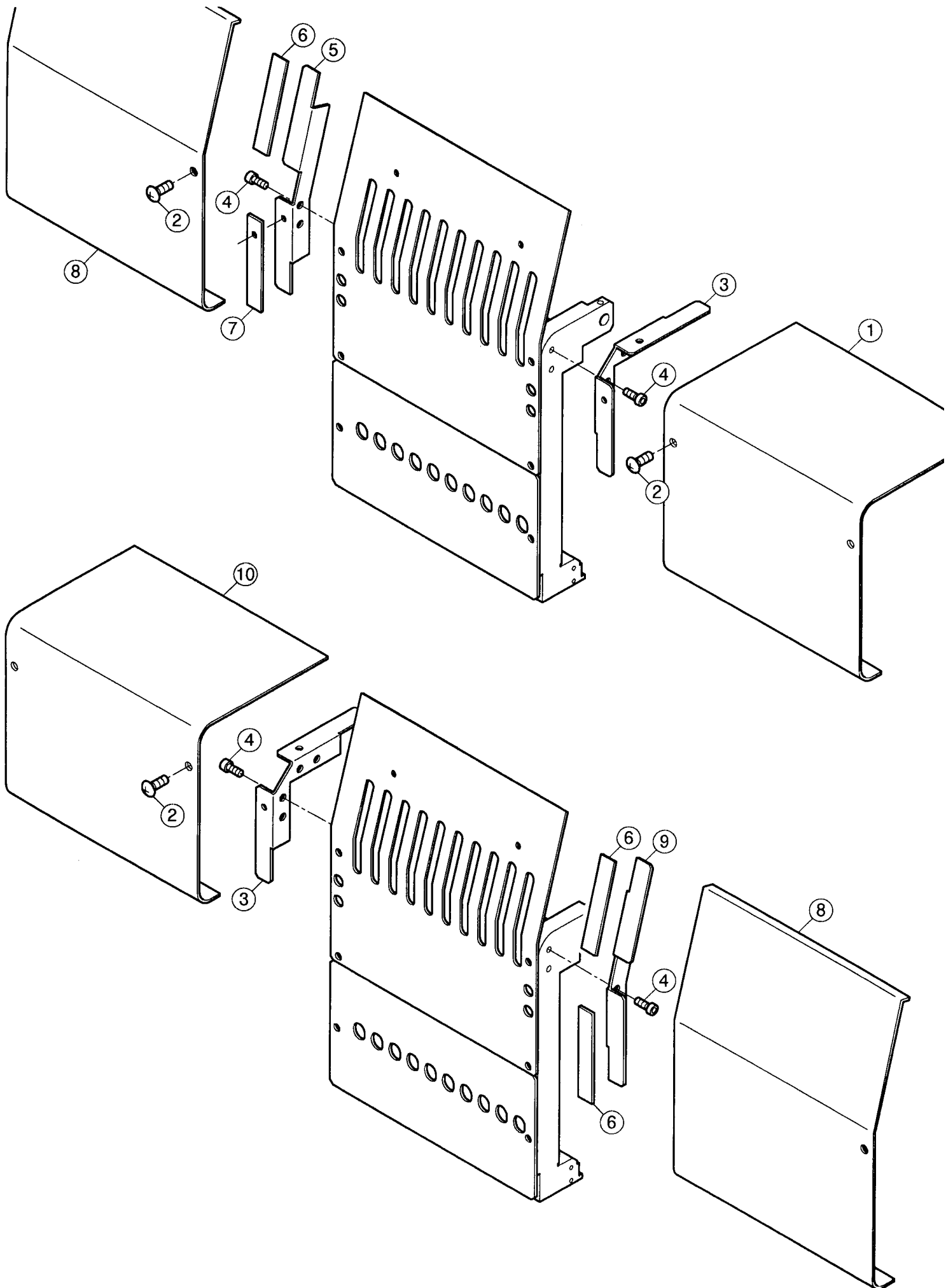
MOVING HEAD 1

14a-2

組	指図	部品番号		CGB2501ss
Ass'y	El't	PARTS No.	PARTS NAMES	NOTE / 備考
	52	HMG13120	Moving head (for 10 needle)	
	52	HMG13110	Moving head (for 12 needle)	
	53	HMG12080	Pressure foot sheet (for 10 needle)	
	53	HMG12280	Pressure foot sheet (for 12 needle)	
	54	HMG12480	Pressure foot guide (for 10 needle)	
	54	HMG12490	Pressure foot guide (for 12 needle)	
	55	HMG13590	Spacer (right)	
	56	HMG13600	Spacer (left)	
	57	HMG13580	Side cover	
	59	WPAD03000	Plain washer (M3)	
	61	HMG13710	Guide plate (for 10 needle)	
	61	HMG13720	Guide plate (for 12 needle)	
	62	M0412172	Needle bar spring 1	
	63	HMG13680	Spring	
	64	HMG13540	Pressure foot bracket	
	65	MPR00510	O-ring	
	66	HMG13701	Link ass'y	
	67	HMG13630	Pressure foot	
	68	HMG13670	Pressure foot felt (0.6mm)	

MOVING HEAD 2

CGB9827 14b-1



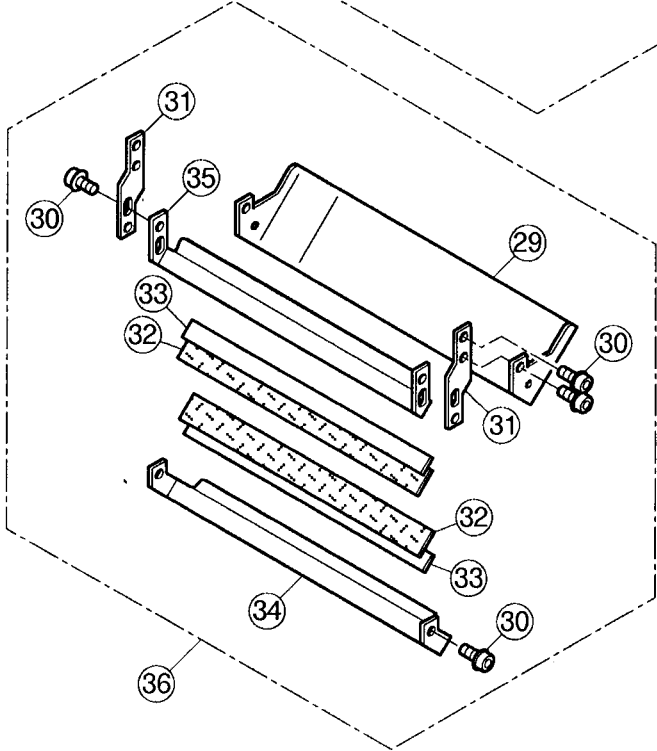
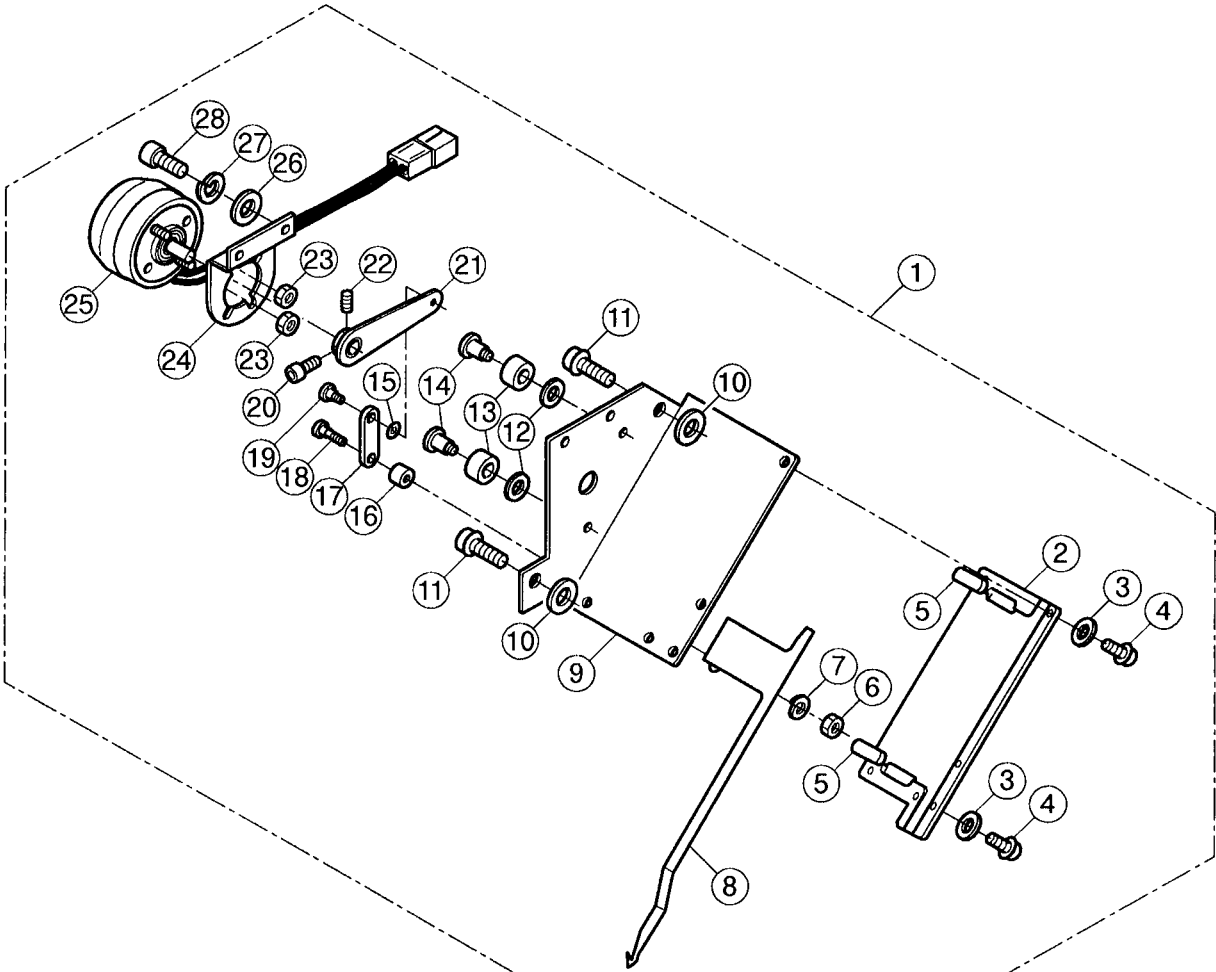
MOVING HEAD 2

14b-1

組	指図	部品番号		CGB9827
Ass'y	El't	PARTS No.	PARTS NAMES	NOTE / 備考
	1	→1a	Head cover (right)	
	2	STAB04008	Truss head screw (cross recessed, M4x8)	
	3	HCG13050	Head cover bracket (both ends)	
	4	SCAA04008	Hexagon socket head cap screw (M4x8)	
	5	HCG13070	Head cover bracket (left)	
	6	HMF13302	Cover magnet	
	7	HMF13410	Cover magnet B	
	8	→2a	Head cover, middle (by model)	
	9	HCG13060	Head cover bracket (right)	
	10	→1a	Head cover (left)	

THREAD CATCHER

CGB8601 15a-1



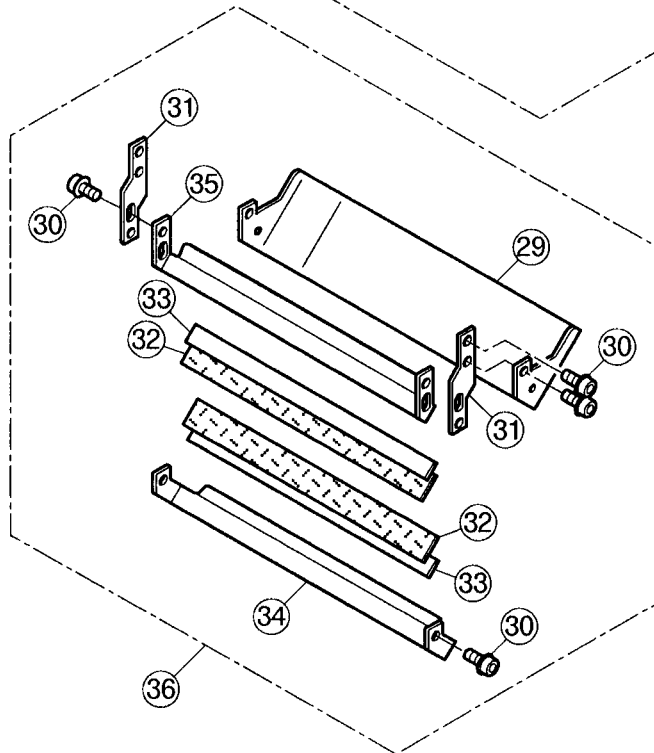
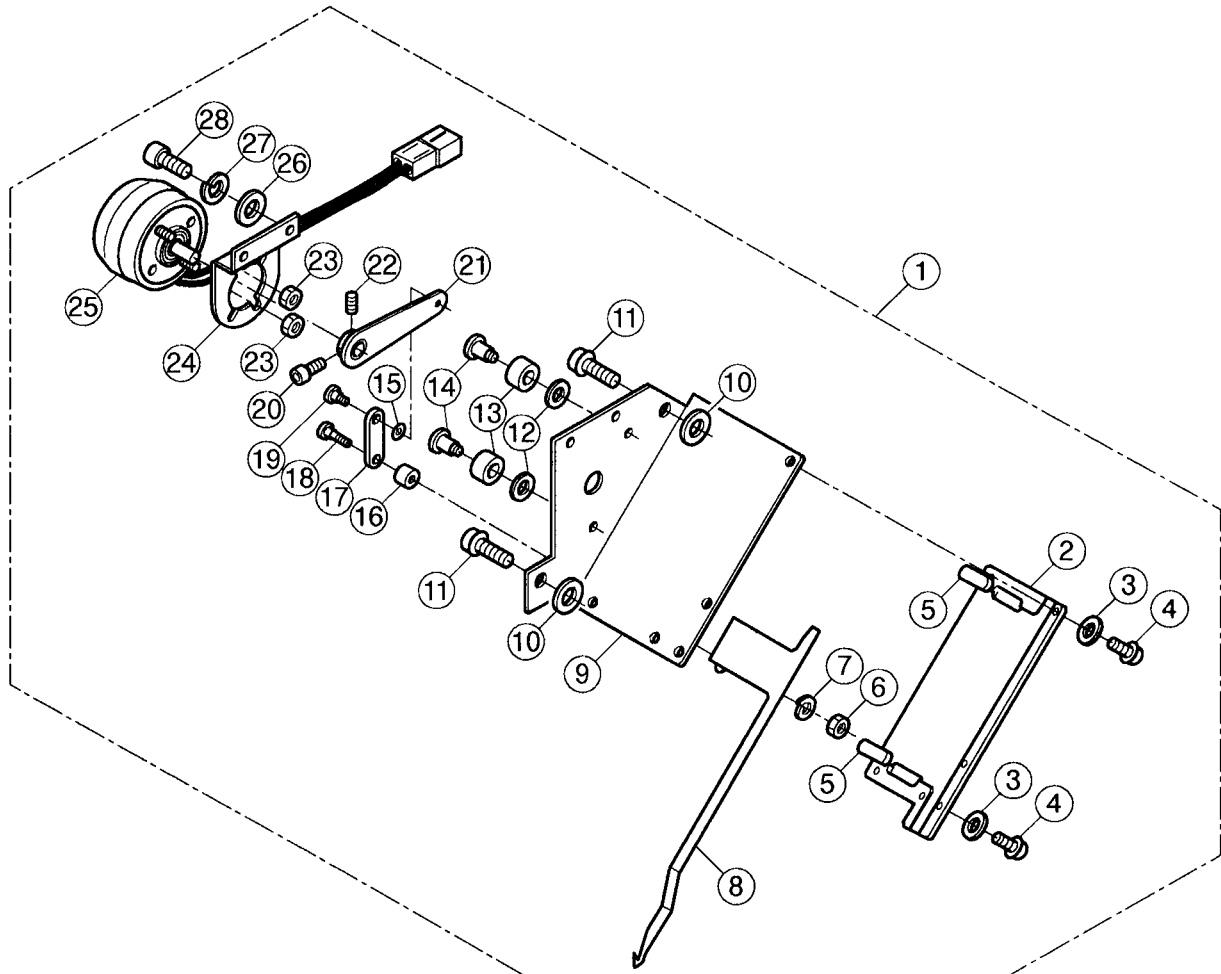
THREAD CATCHER

15a-1

組	指図	部品番号		CGB8601
Ass'y	El't	PARTS No.	PARTS NAMES	NOTE / 備考
	1	HCM914120	Thread catcher ass'y	
	2	HMF14170	Guide plate B	
	3	WPAB03000	Plain washer (M3)	
	4	SPDB03008	Pan head screw (cross recessed, M3x8)	
	5	M0414180	Cushion	
	6	NHAA03000	Hexagon nut (M3)	
	7	WSAA03000	Spring lock washer (M3)	
	8	C0414055	Hook	
	9	HCM14012	Bracket	
	10	WPBA06000	Plain washer (M6)	
	11	SCBA05008	Hexagon socket head cap screw with flange (M5x8)	
	12	WPAD04000	Plain washer (M4)	
	13	M0412241	Plastic ring	
	14	M0414080	Hinge screw B	
	15	M0414150	Washer for hinge screw	
	16	C0414080	Spacer for hinge screw	
	17	M0414162	Connecting plate	
	18	C0414070	Hinge screw	
	19	M0414142	Hinge screw A	
	20	SCAA03006	Hexagon socket head cap screw (M3x6)	
	21	M0414100	Actuating plate	
	22	SSAA03006	Hexagon socket set screw (M3x6)	
	23	NHCC04000	Hexagon nut (M4)	
	24	M0414111	Solenoid fixing plate	
	25	M0414121	Solenoid	
	26	WPAA04000	Plain washer (M4)	
	27	WSAA04000	Spring lock washer (M4)	
	28	SCAA04006	Hexagon socket head cap screw (M4x6)	

THREAD CATCHER

CGB8601 15a-2



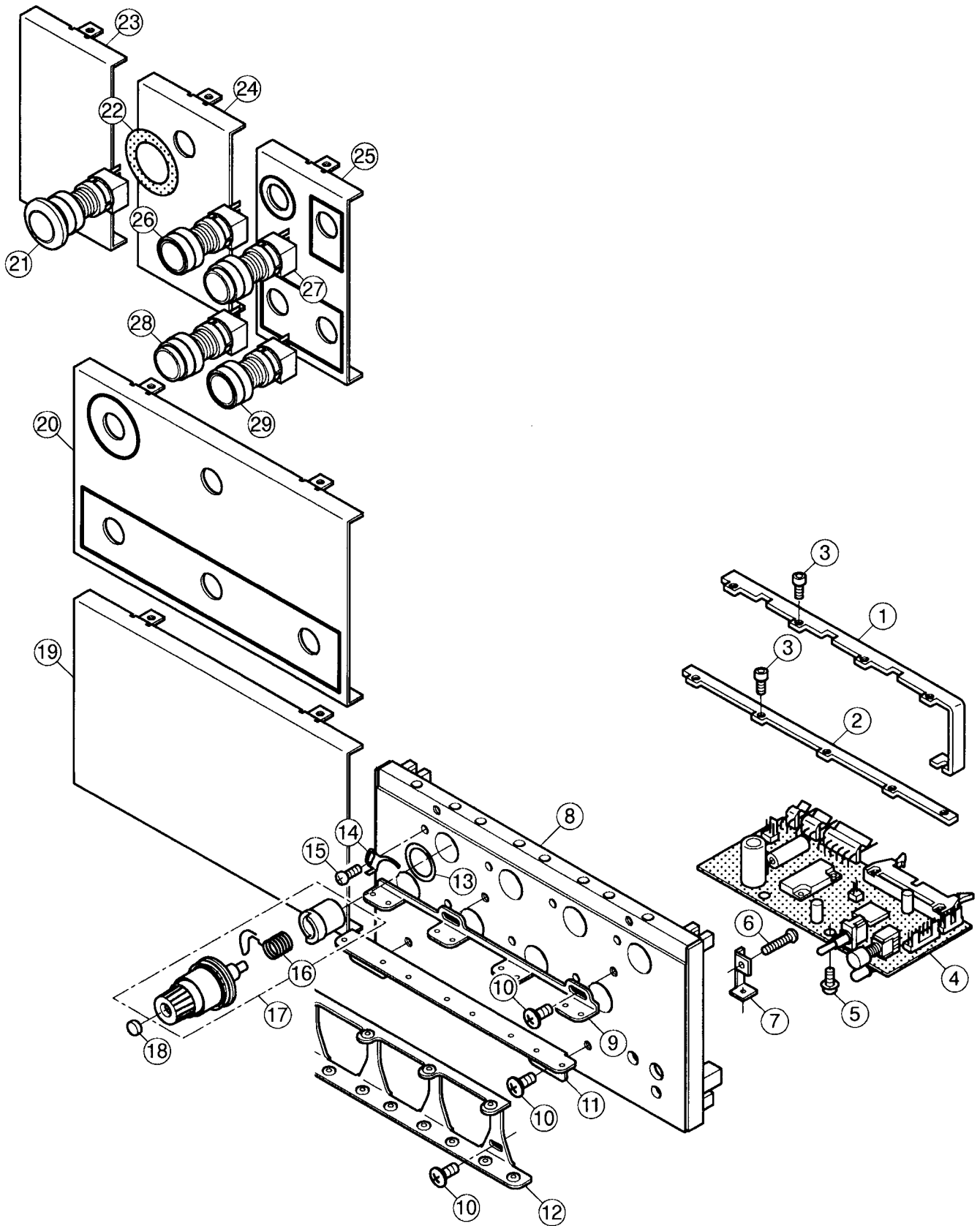
THREAD CATCHER

15a-2

組 Ass'y	指図 El't	部品番号 PARTS No.	PARTS NAMES	CGB8601 NOTE / 備考
	29	HCM14110	Hook guard (for 7 needle)	
	29	HCM14120	Hook guard (for 8 needle)	
	29	HCG14040	Hook guard (for 10 needle)	
	29	HCG14100	Hook guard (for 12 needle)	
	30	SCBA03006	Hexagon socket head cap screw with flange (M3x6)	
	31	HCM14030	Holder guide	
	32	HMF14430	Magic tape (for 7 needle)	
	32	HMF14440	Magic tape (for 8 needle)	
	32	HCG14030	Magic tape (for 10 needle)	
	32	HCG14080	Magic tape (for 12 needle)	
	33	HMF14460	Adhesive tape (for 7 needle)	
	33	HMF14470	Adhesive tape (for 8 needle)	
	33	HCG14050	Adhesive tape (for 10 needle)	
	33	HCG14090	Adhesive tape (for 12 needle)	
	34	HCM14070	Holder (lower) (for 7 needle)	
	34	HCM14060	Holder (lower) (for 8 needle)	
	34	HCG14020	Holder (lower) (for 10 needle)	
	34	HCG14070	Holder (lower) (for 12 needle)	
	35	HCM14050	Holder (upper) (for 7 needle)	
	35	HCM14040	Holder (upper) (for 8 needle)	
	35	HCG14010	Holder (upper) (for 10 needle)	
	35	HCG14060	Holder (upper) (for 12 needle)	
	36	HCM914130	Thread holder ass'y (for 7 needle)	
	36	HCM914140	Thread holder ass'y (for 8 needle)	
	36	HCM914150	Thread holder ass'y (for 10 needle)	
	36	HCM914160	Thread holder ass'y (for 12 needle)	

THREAD TENSION UNIT 1

CGB9209 16a-1



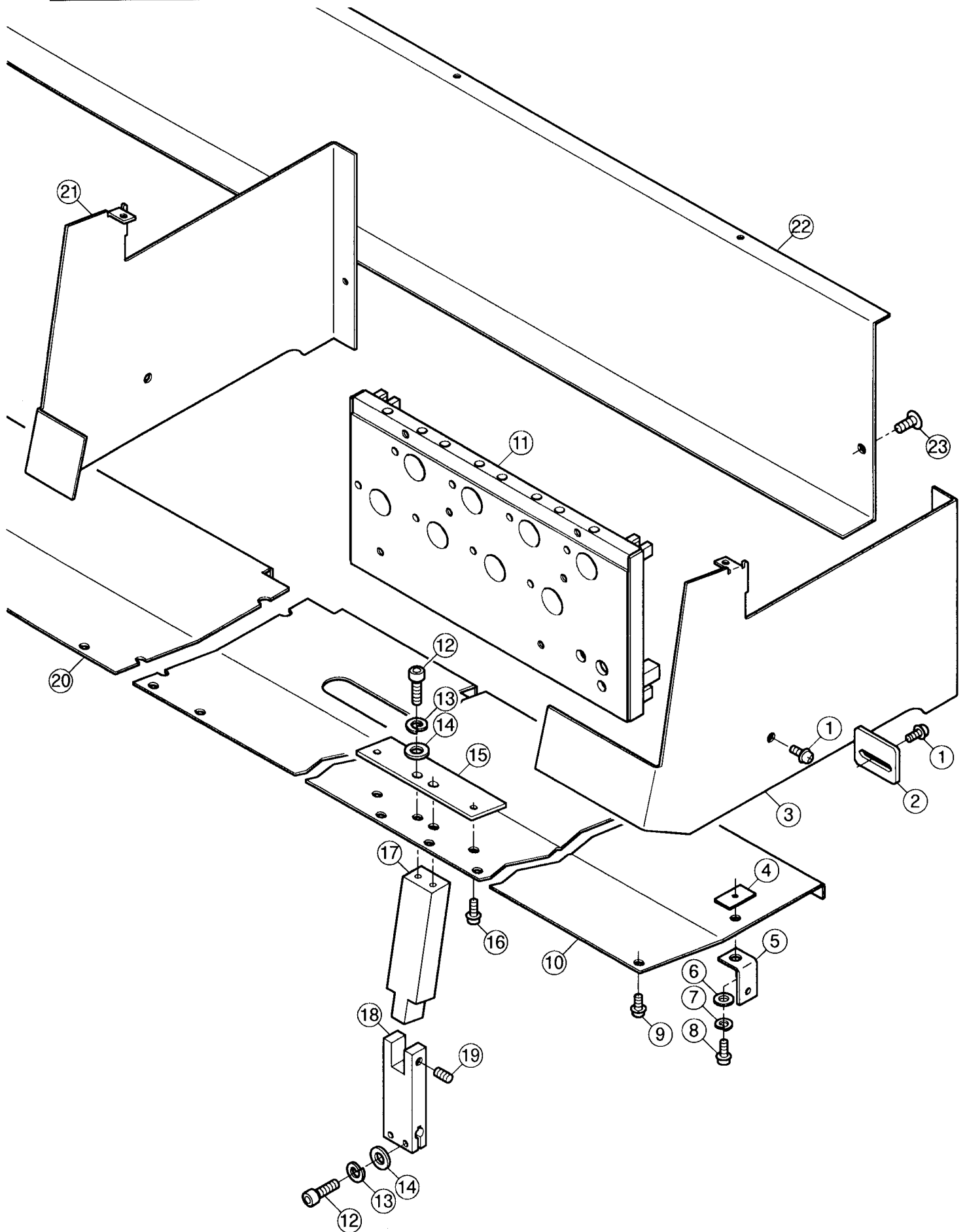
THREAD TENSION UNIT 1

16a-1

組 Ass'y	指図 El't	部品番号 PARTS No.	PARTS NAMES	CGB1131 NOTE / 備考
	1	HMG17060	Thread tension fixer A (for 10 needle)	
	1	HMG17180	Thread tension fixer A (for 12 needle)	
	2	HMG17070	Thread tension fixer B (for 10 needle)	
	2	HMG17190	Thread tension fixer B (for 12 needle)	
	3	SCAD03008	Hexagon socket head cap screw (M3x8)	
	4	M0483228	Thread detecting board ass'y	
	5	SPDD03006	Pan head screw (cross recessed, M3x6)	
	6	SMAC03008	Pan head tapping screw (cross recessed head, 3x8)	
	7	M0416031	Bracket for thread detecting board	
	8	HMG17041	Thread tension bracket (for 10 needle)	
	8	HMG17050	Thread tension bracket (for 12 needle)	
	9	HMG17080	Upper thread guide (for 10 needle)	
	10	SBAB04008	Binding head screw (M4x8)	
	11	HMG17090	Lower thread guide (for 10 needle)	
	12	HMG17240	Thread guide ass'y (for 12 needle)	
	13	HMF17820	Isolation plate	
	14	HMF17870	Adjusting plate	
	15	SPAC2E025	Pan head screw (cross recessed, M2.5x25)	
17*	16	M0416186	Thread adjusting spring	
	17	HMF17840	Thread tension ass'y	
	18	HMF17860	Thread tension lid	
	19	→17a	Thread tension cover B (by model)	
	20	→17a	Thread tension cover (by model)	
	21	EPS00840	Emergency stop switch	
	22	HMF51080	Emergency stop sticker	
	23	→17a	Thread tension cover A (by model)	
	24	→17a	Thread tension cover B (by model)	
	25	→17a	Thread tension cover C (by model)	
	26	EPS00730	Thread cut switch (blue)	
	27	EPS00720	forward switch (yellow)	
	28	EPS00680	Stop switch (black)	
	29	EPS00670	Start switch (white)	

THREAD TENSION UNIT 2

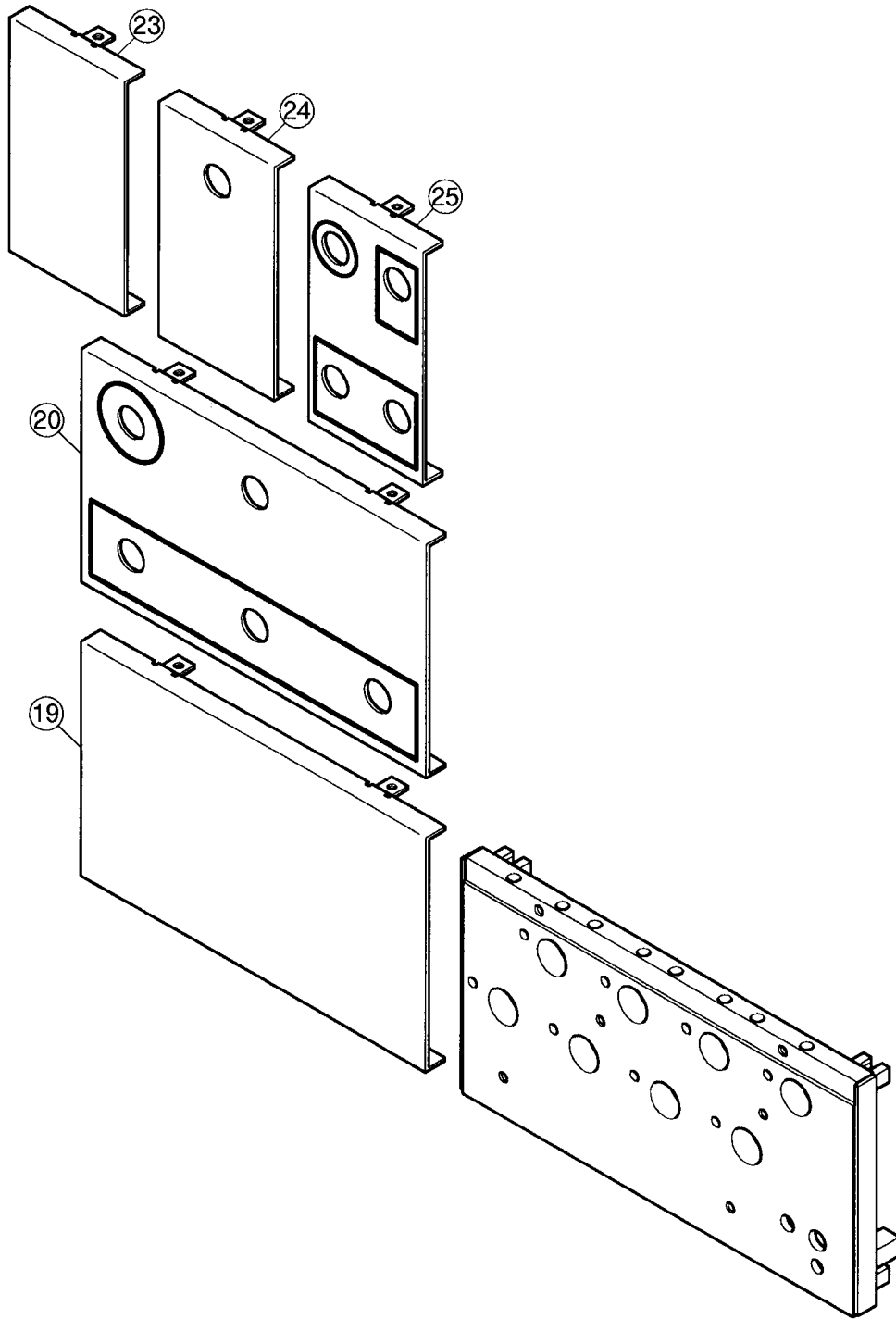
CGB9209 16b-1



THREAD TENSION UNIT 2

16b-1

組 Ass'y	指図 El't	部品番号 PARTS No.	PARTS NAMES	CGB9827 NOTE / 備考
	1	SPDB04008	Pan head screw (cross recessed, M4x8)	
	2	HCG17331	Stopper	
	3	HCG17030	Thread tension side cover (right)	
	4	M0420901	Plate nut	
	5	HMF10281	Cover bracket B	
	6	WPAD04000	Plain washer (M4)	
	7	WSAD04000	Spring lock washer (M4)	
	8	SCBD04010	Hexagon socket head cap screw with flange (M4x10)	
	9	SPDB04010	Pan head screw (cross recessed, M4x10)	
	10	→17b	Fixing plate B (right) for thread tension bracket (by model)	
	11	→16a	Thread tension bracket	
	12	SCAA04015	Hexagon socket head cap screw (M4x15)	
	13	WSAA04000	Spring lock washer (M4)	
	14	WPAA04000	Plain washer (M4)	
	15	HCG10120	Fixing plate	
	16	SCBD04008	Hexagon socket head cap screw with flange (M4x8)	
	17	HCM10170	Joint E	
	18	HCG10130	Joint	
	19	SSAA04008	Hexagon socket set screw (M4x8)	
	20	→17b	Fixing plate B (left) for thread tension bracket (by model)	
	21	HCG17040	Thread tension side cover (left)	
	22	→17b	Rear cover (by model)	
	23	STAB04006	Truss head screw (cross recessed, M4x6)	

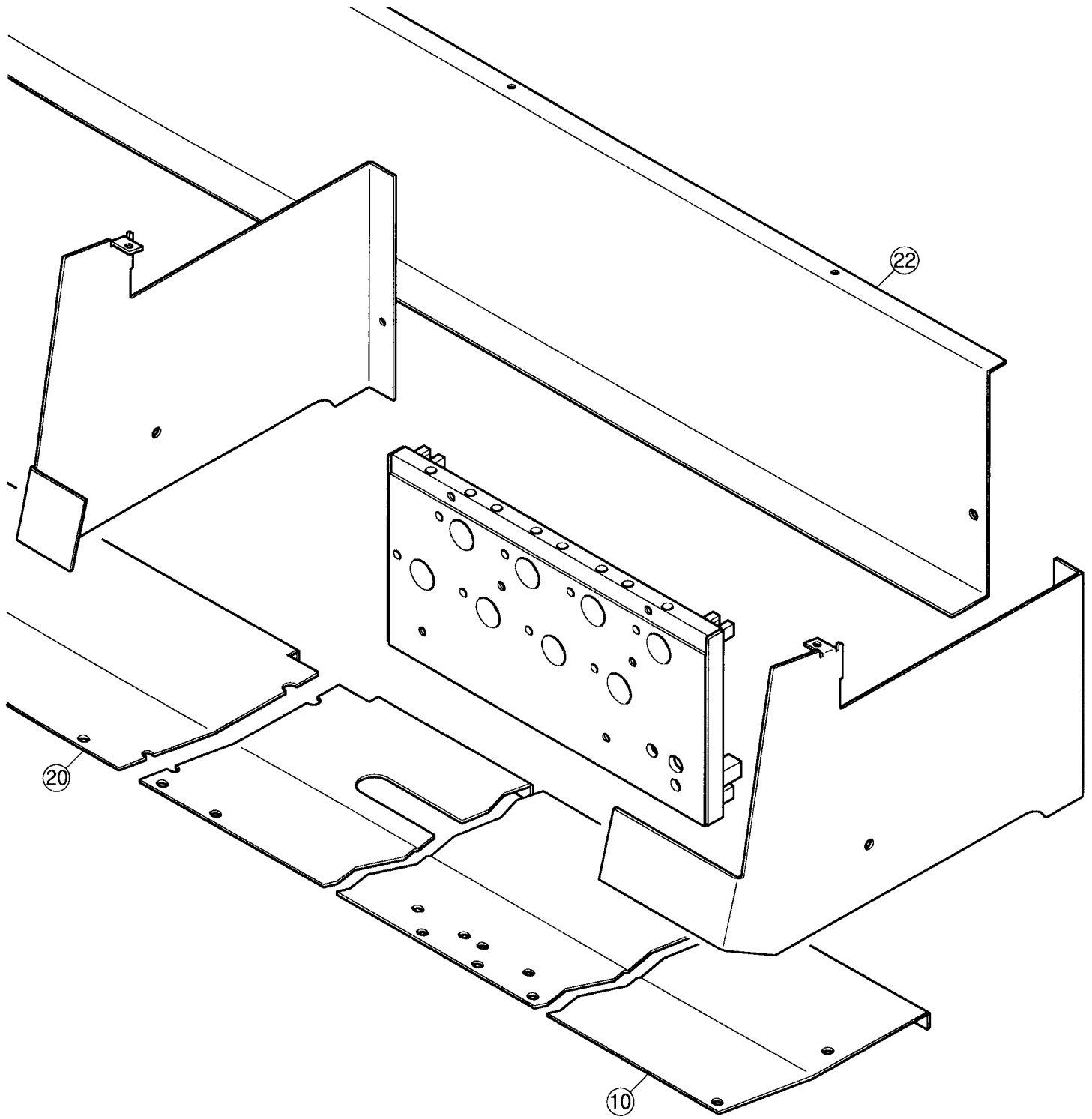


指図 / El't		1 9	2 0	
PARTS NAMES		Thread tension cover B	Thread tension cover	
機種 MODEL	1 2 0 6 B	-	-	
	1 0 0 6 B	-	-	
	X 1 2 0 4 B	HCG17310	HCG17300	
	X 1 0 0 4 B	HCG17420	HCG17050	
	1 2 0 4 B	-	-	
	1 0 0 4 B	-	-	
	1 2 0 2 B	-	HCG17300	
	1 0 0 2 B	-	HCG17050	

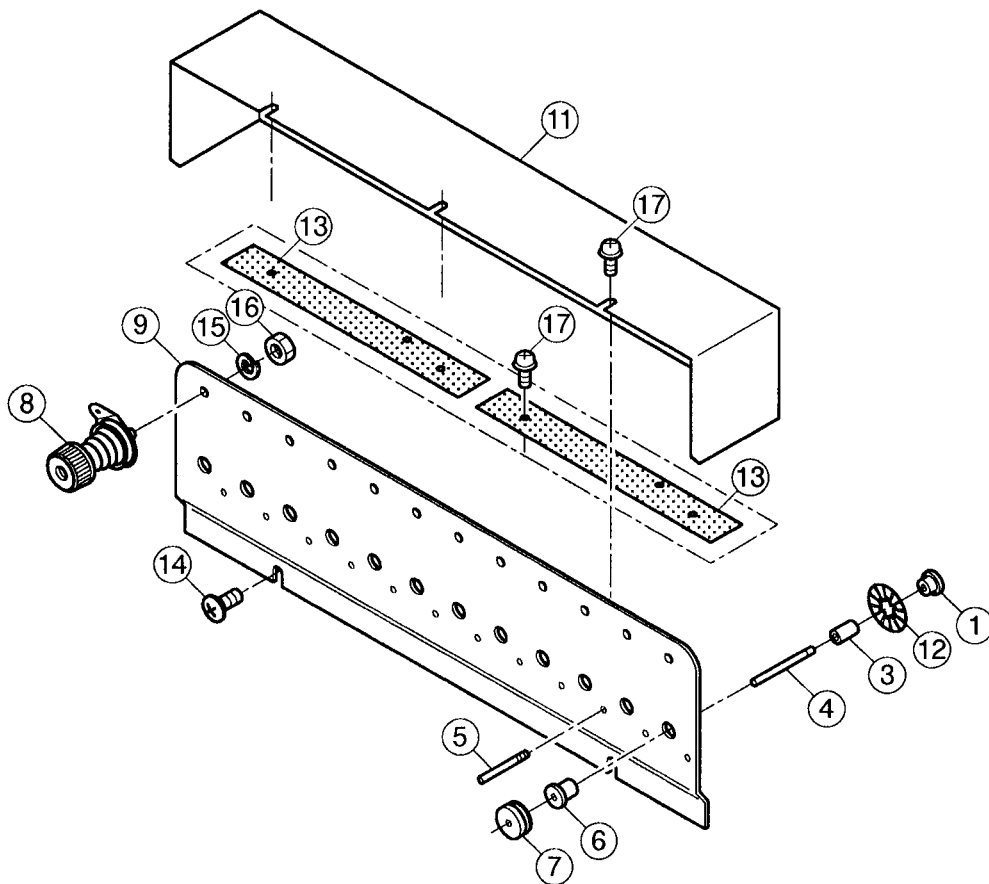
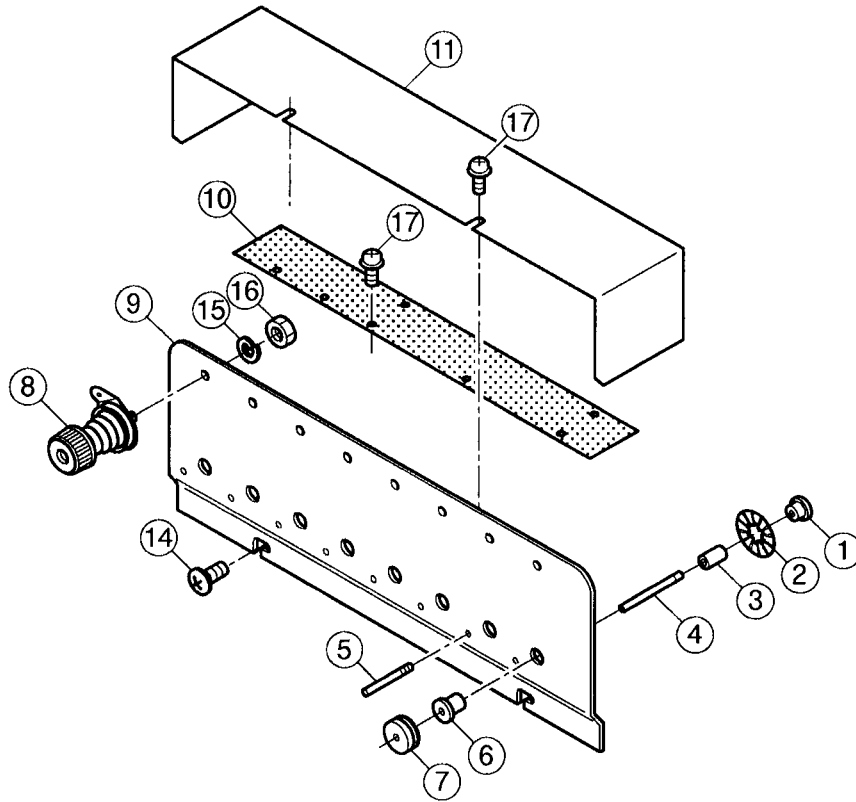
指図 / El't		2 3	2 4	2 5
PARTS NAMES		Thread tension cover A	Thread tension cover B	Thread tension cover C
機種 MODEL	1 2 0 6 B	HCG17240	HCG17250	HCG17260
	1 0 0 6 B	HCG17100	HCG17090	HCG17080
	X 1 2 0 4 B	-	-	-
	X 1 0 0 4 B	-	-	-
	1 2 0 4 B	HCG17240	HCG17250	HCG17260
	1 0 0 4 B	HCG17100	HCG17090	HCG17080
	1 2 0 2 B	-	-	-
	1 0 0 2 B	-	-	-

THREAD TENSION UNIT 2

CGB9209 17b-1



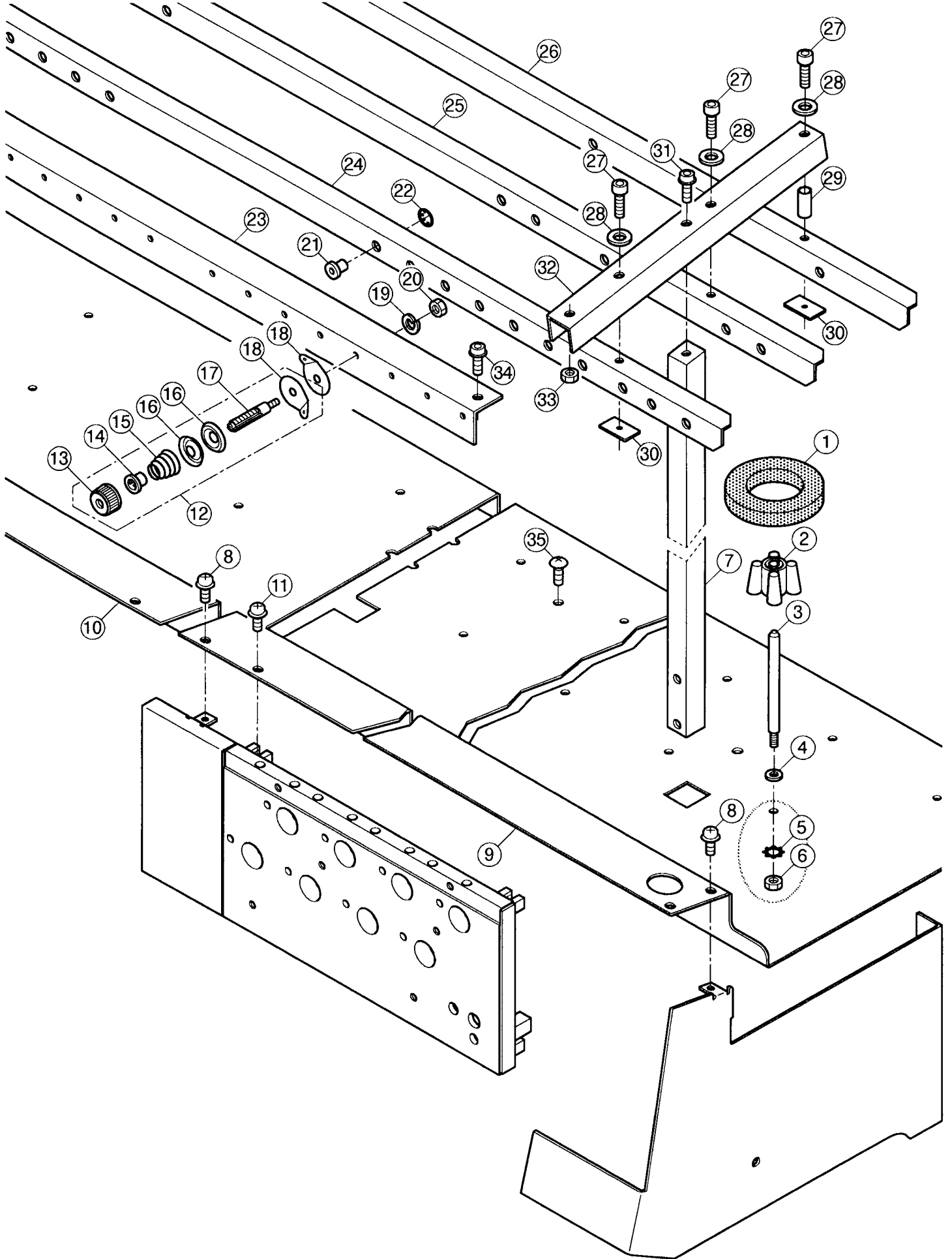
指図 / El't PARTS NAMES		1 0 Fixing plate B (right)	2 0 Fixing plate B (left)	2 2 Rear cover
機種 MODEL	1 2 0 6 B	HCG17221	HCG17231	HCG17271
	1 0 0 6 B	HCG17361	HCG17371	HCG17381
	X 1 2 0 4 B	HCG17291	-	HCG17323
	X 1 0 0 4 B	HCG17401	-	HCG17411
	1 2 0 4 B	HCG17441	-	HCG17451
	1 0 0 4 B	HCG17471	-	HCG17481
	1 2 0 2 B	HCG17501	-	HCG17511
	1 0 0 2 B	HCG17531	-	HCG17541



組 Ass'y	指図 Elt	部品番号 PARTS No.	PARTS NAMES	CGB1828 NOTE / 備考
	1	MPZ00350	Eyelet	
	2	M0445061	Slit disc	
	3	MPZ00360	Spacer	
	4	M0445070	Roller shaft	
	5	M0445103	Thread guide bar	
	6	M0445080	Roller shaft support	
	7	M0445092	Detecting roller	
	8	M0416124	Thread guide unit	
	9	M0445054	Fixing plate (for 7 needle)	
	9	M0445044	Fixing plate (for 8 needle)	
	9	HMG17162	Fixing plate (for 10 needle)	
	9	HMG17221	Fixing plate (for 12 needle)	
	10	M0445020	Detecting board ass'y (for 7 needle)	
	10	M0445030	Detecting board ass'y (for 8 needle)	
	10	HMF83120	Detecting board ass'y (for 10 needle)	
	11	M0445013	Cover for fixing plate (for 7 needle)	
	11	M0445003	Cover for fixing plate (for 8 needle)	
	11	HMG17150	Cover for fixing plate (for 10 needle)	
	11	HMG17230	Cover for fixing plate (for 12 needle)	
	12	HMG17212	Slit disc 2	
	13	HCG83120	Detecting board ass'y (for 12 needle)	
	14	SBAB04014	Binding head screw (M4x14)	
	15	WSAA04000	Spring lock washer (M4)	
	16	NHAA04000	Hexagon nut (M4)	
	17	SPDD03006	Pan head screw (cross recessed, M3x6)	

THREAD STAND 1

CGB9209 19a-1



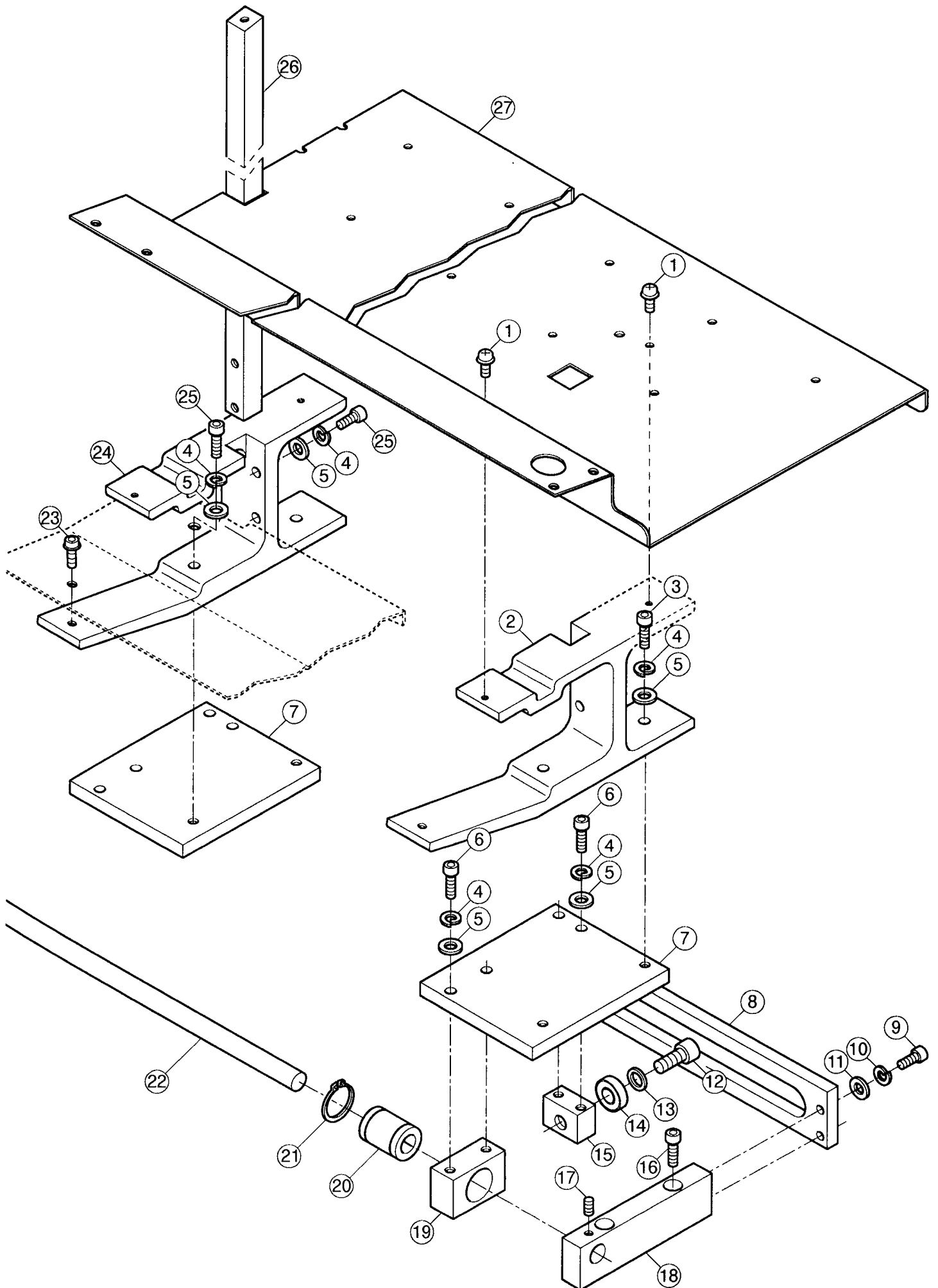
THREAD STAND 1

19a-1

組 Ass'y	指図 El't	部品番号 PARTS No.	PARTS NAMES	CGB9209 NOTE / 備考
	1	HMF20571	Thread stand felt (80)	
	2	MPZ00340	Plastic spring	
	3	M0420032	Thread stand pin	
	4	M0420890	Washer	
	5	WTBC06000	Toothed lock washer	
	6	NHAB05000	Hexagon nut (M5)	
	7	HCG20071	Thread guide pillar	
	8	SPDB04008	Pan head screw (cross recessed, M4x8)	
	9	→20a	Fixing plate A (right) for thread tension bracket (by model)	
	10	→20a	Fixing plate A (left) for thread tension bracket (by model)	
	11	SPDB04010	Pan head screw (cross recessed, M4x10)	
	12	M0416124	Thread guide unit	
12*	13	MPZ00960	Tension nut	
12*	14	MPZ00280	Spring guide	
12*	15	M0416111	Spring	
12*	16	MPZ00221	Disc	
12*	17	M0418211	Tension shaft	
12*	18	MPZ00200	Tension guide plate	
	19	WSAA04000	Spring lock washer (M4)	
	20	NHAA04000	Hexagon nut (M4)	
	21	M0445080	Eyelet	
	22	MPR00110	SE-ring (SE-7)	
	23	→20a	Thread guide unit fixing plate (by model)	
	24	→20a	Thread guide A (by model)	
	25	→20a	Thread guide B (by model)	
	26	→20a	Thread guide C (by model)	
	27	SCAD04025	Hexagon socket head cap screw (M4x25)	
	28	WPAD04000	Plain washer (M4)	
	29	HMF20770	Spacer	
	30	M0420901	Plate nut	
	31	SCBD05010	Hexagon socket head cap screw with flange (M5x10)	
	32	HCG20820	Thread guide connecting plate	
	33	NHAD04000	Hexagon nut (M4)	
	34	SCBD04008	Hexagon socket head cap screw with flange (M4x8)	
	35	STAB04006	Truss head screw (cross recessed, M4x6)	

THREAD STAND 2

CGB9209 19b-1



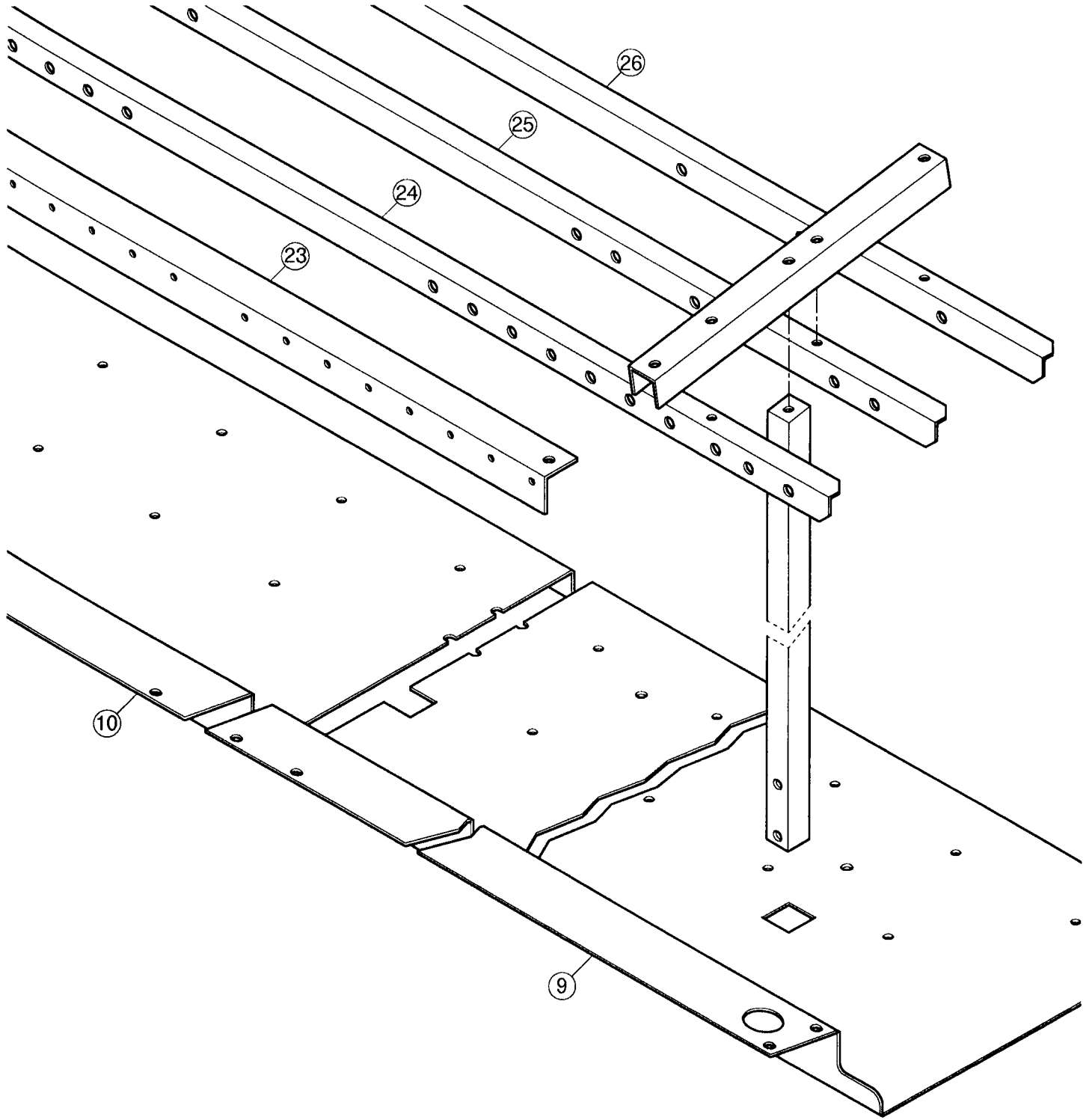
THREAD STAND 2

19b-1

組 Ass'y	指図 El't	部品番号 PARTS No.	PARTS NAMES	CGB1828 NOTE / 備考
	1	SPBB04008	Pan head screw (cross recessed, M4x8)	
	2	HCG20320	Thread stand base A (for 12 needle)	
	3	SCAA06020	Hexagon socket head cap screw (M6x20)	
	4	WSAA06000	Spring lock washer (M6)	
	5	WPAA06000	Plain washer (M6)	
	6	SCAA06025	Hexagon socket head cap screw (M6x25)	
	7	HCG20340	Thread stand base bracket	
	8	HCG20051	Roller guide	
	9	SCAA05020	Hexagon socket head cap screw (M5x20)	
	10	WSAA05000	Spring lock washer (M5)	
	11	WPAA05000	Plain washer (M5)	
	12	SCAA10020	Hexagon socket head cap screw (M10x20)	
	13	HMF24200	Spacer	
	14	MPB00560	Bearing (6900ZZ)	
	15	HCG20060	Roller support	
	16	SCAA06035	Hexagon socket head cap screw (M6x35)	
	17	SSAA05006	Hexagon socket set screw (M5x6)	
	18	HCG20041	LM shaft support	
	19	HCG20030	LM case	
	20	MPB00700	Linear bush (LM13UU)	
	21	MPR00450	C-ring (C-22)	
	22	MPB00710	LM shaft (SF13-300L)	
	23	SCBA04008	Hexagon socket head cap screw with flange (M4x8)	
	24	HCG20330	Thread stand base B	
	25	SCAA06030	Hexagon socket head cap screw (M6x30)	
	26	→19a	Thread guide pillar	
	27	→19a	Fixing plate A (right) for thread tension bracket (by model)	

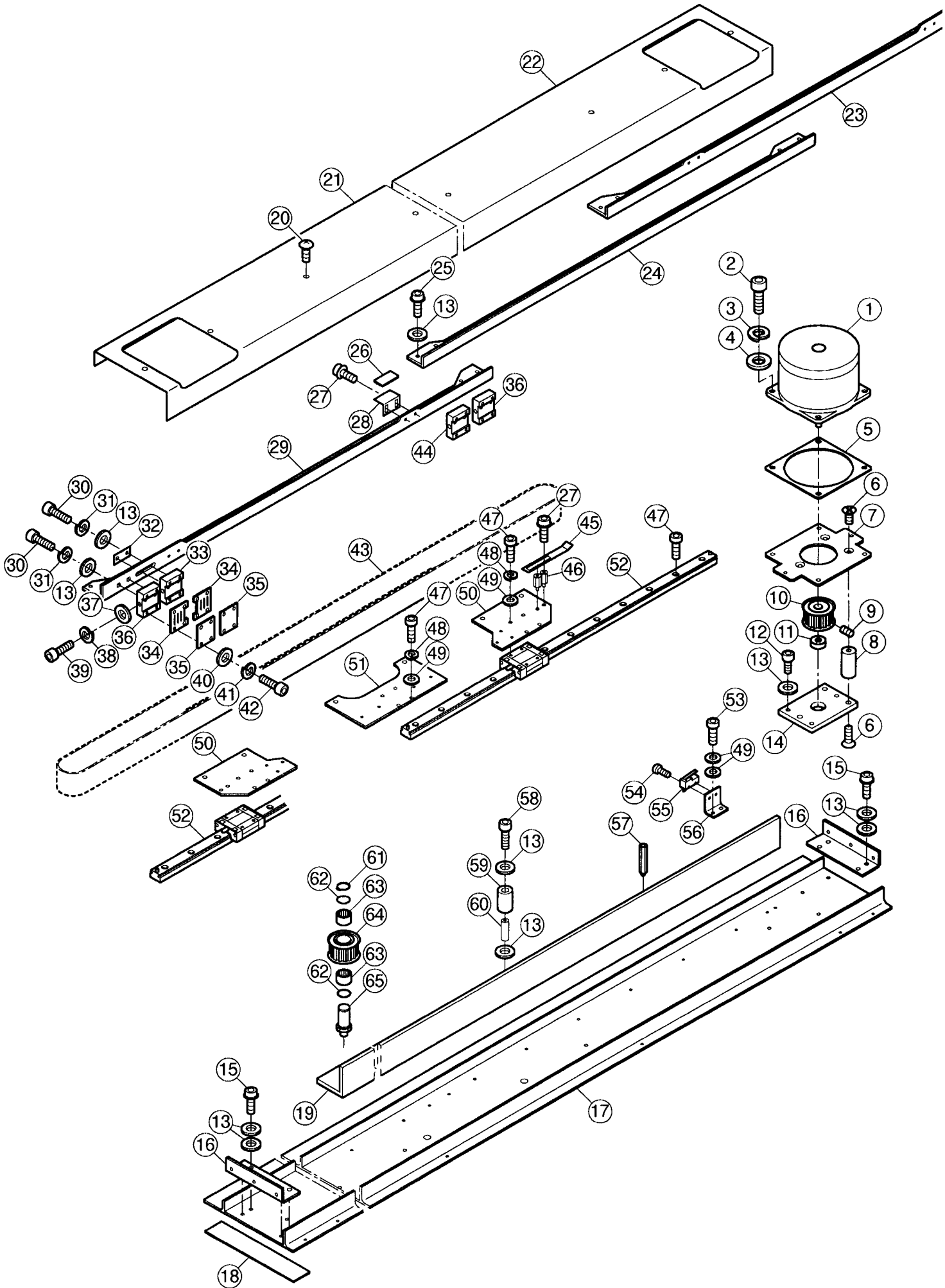
THREAD STAND

CGB9209 20a-1



指図 / E/t PARTS NAMES		9 Fixing plate A (right)	10 Fixing plate A (left)	23 Thread guide unit fixing plate
機種 MODEL	1206B	HCG17201	HCG17211	HCG20780
	1006B	HCG17340	HCG17350	HCG20790
	X1204B	HCG17281	-	HCG20800
	X1004B	HCG17390	-	HCG20810
	1204B	HCG17430	-	HCG20650
	1004B	HCG17460	-	HCG20690
	1202B	HCG17490	-	HCG20730
	1002B	HCG17520	-	HCG20770

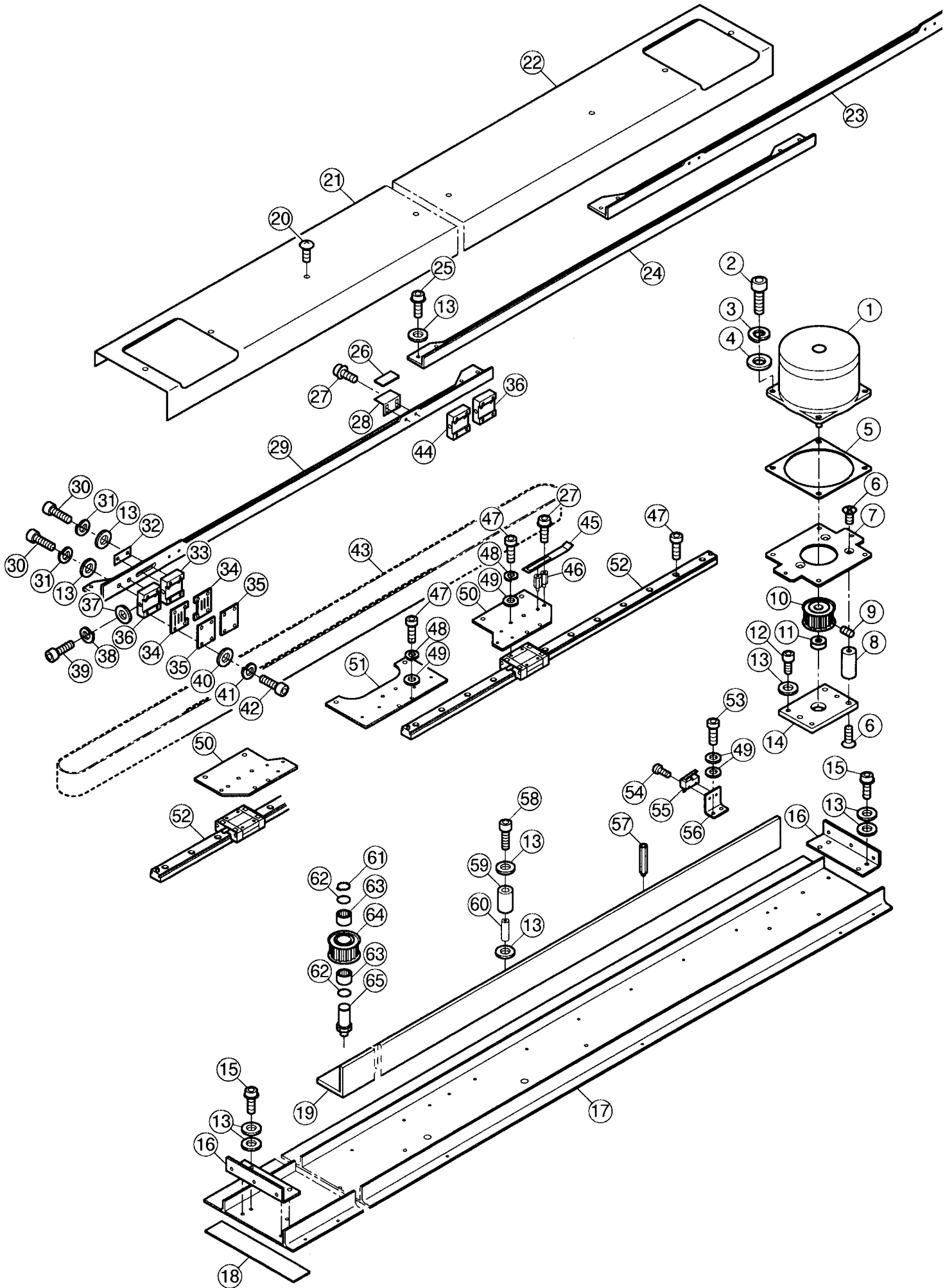
指図 / E/t PARTS NAMES		24 Thread guide A	25 Thread guide B	26 Thread guide C
機種 MODEL	1206B	HCG20350	HCG20361	HCG20370
	1006B	HCG20540	HCG20550	HCG20560
	X1204B	HCG20390	HCG20400	HCG20410
	X1004B	HCG20580	HCG20590	HCG20600
	1204B	HCG20620	HCG20630	HCG20630
	1004B	HCG20660	HCG20670	HCG20680
	1202B	HCG20700	HCG20710	HCG20720
	1002B	HCG20740	HCG20750	HCG20760



X CARRIAGE 1

21a-1

組 Ass'y	指図 El't	部品番号 PARTS No.	PARTS NAMES	CGB9209 NOTE / 備考
	1	EPM00410	Pulse motor	
	2	SCAA05015	Hexagon socket head cap screw (M5x15)	
	3	WSAA05000	Spring lock washer (M5)	
	4	WPAA05000	Plain washer (M5)	
	5	HCG25320	Pulse motor spacer	
	6	SGAB05012	Flat head screw (cross recessed head, M5x12)	
	7	HCG25070	Pulse motor bracket	
	8	HCG25220	Pulse motor stud	
	9	SSAA05008	Hexagon socket set screw (M5x8)	
	10	HCG25050	Drive pulley	
	11	MPB00720	Bearing (BC6-16ZZ)	
	12	SCAB04010	Hexagon socket head cap screw (M4x10)	
	13	WPAD04000	Plain washer (M4)	
	14	HCG25040	Pulse motor base	
	15	SCBD04008	Hexagon socket head cap screw with flange (M4x8)	
	16	HCG25410	Stay	
	17	→22a	X carriage base (by model)	
	18	HCG25212	Base felt	
	19	→22a	Reinforcement plate (by model)	
	20	STAB04006	Truss head screw (cross recessed, M4x6)	
	21	→22a	X carriage base cover (right) (by model)	
	22	→22a	X carriage base cover (left) (by model)	
	23	→22a	Connecting plate (right) (by model)	
	24	→22a	Connecting plate (middle) (by model)	
	25	SCBD04006	Hexagon socket head cap screw with flange (M4x6)	
	26	HCG25202	Cover felt	
	27	SCBA03006	Hexagon socket head cap screw with flange (M3x6)	
	28	HCG25180	Cover felt bracket	
	29	→22a	Connecting plate (left) (by model)	
	30	SCAD04012	Hexagon socket head cap screw (M4x12)	
	31	WSAD04000	Spring lock washer (M4)	
	32	HCG25720	Washer	
	33	HCG25130	Belt fixing plate C	
	34	HCG25270	Belt holding plate A	
	35	HCG25280	Belt holding plate B	
	36	HCG25110	Belt fixing plate A	
	37	WPAA04000	Plain washer (M4)	
	38	WSAA04000	Spring lock washer (M4)	
	39	SCAA04045	Hexagon socket head cap screw (M4x45)	
	40	WPAD03000	Plain washer (M3)	
	41	WSAD03000	Spring lock washer (M3)	
	42	SCAD03012	Hexagon socket head cap screw (M3x12)	
	43	→22a	Timing belt (by model)	
	44	HCG25120	Belt fixing plate B	



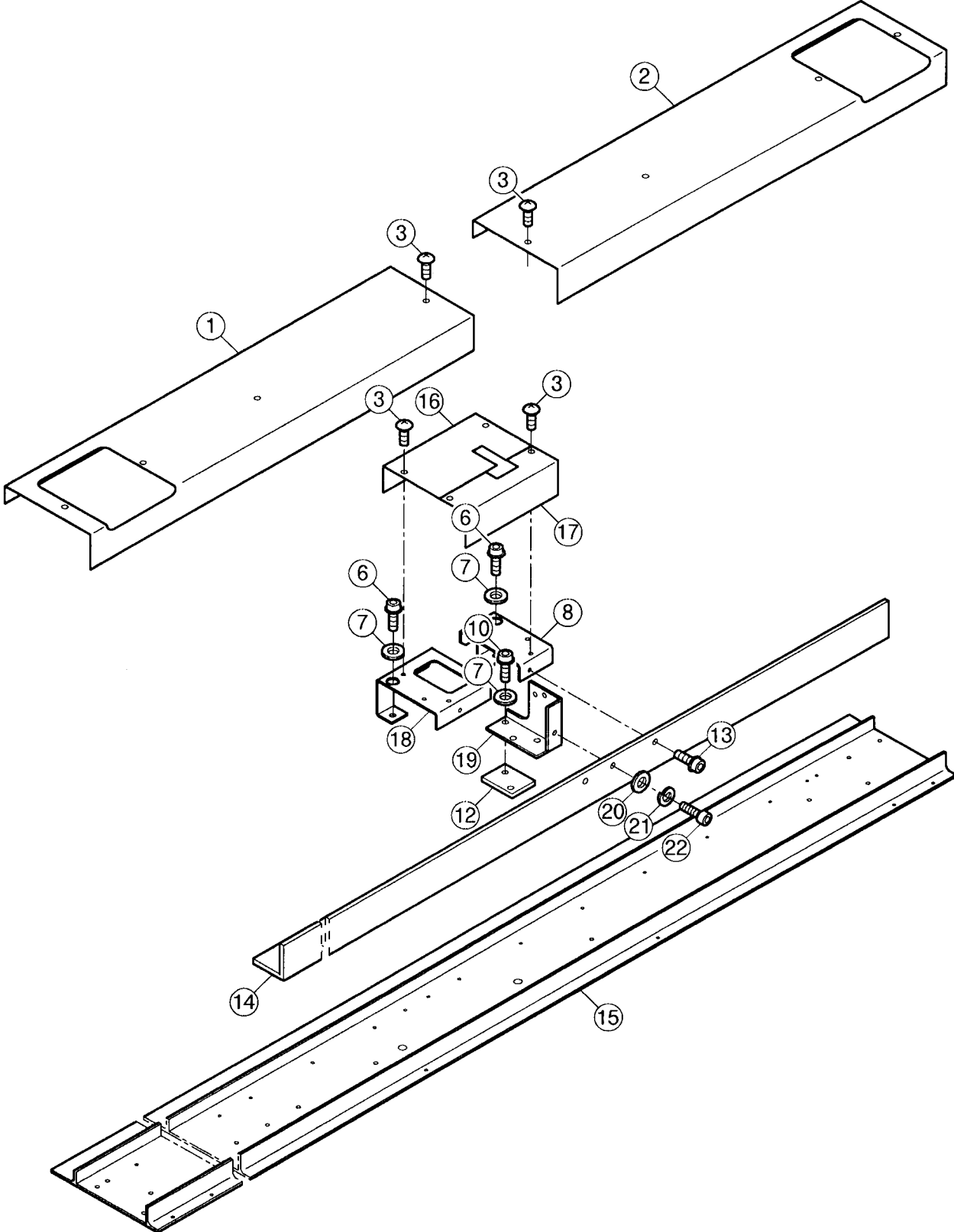
X CARRIAGE 1

21a-2

組	指図	部品番号		CGB9209
Ass'y	El't	PARTS No.	PARTS NAMES	NOTE / 備考
	45	HCG25140	Limit switch dog	
	46	MPZ01960	Spacer (BSB-4312)	
	47	SCAA03008	Hexagon socket head cap screw (M3x8)	
	48	WSAA03000	Spring lock washer (M3)	
	49	WPAA03000	Plain washer (M3)	
	50	HCG25510	Connecting plate C	
	51	HCG25520	Connecting plate	
	51	HCG25600	Connecting plate (X1204B, X1004B)	
	52	HCG25031	LM guide	
	52	HCG26221	LM guide (X1204B, X1004B)	
	53	SCAA03006	Hexagon socket head cap screw (M3x6)	
	54	SPAC2C008	Pan head screw (cross recessed, M2.3x8)	
	55	HCG75040	Limit switch	
	56	HCG25150	Limit switch bracket	
	57	HCG25750	Cover stud	
	58	SCAD04035	Hexagon socket head cap screw (M4x35)	
	59	HCG25730	Tension roller	
	60	MPZ02210	Spacer (CB-425)	
	61	MPR00460	C-ring (C-12)	
	62	M0424160	Spacer	
	63	MPB00280	Needle bearing (HK1210)	
	64	HCG25290	Idler pulley	
	65	HCG25240	Idler shaft	

X CARRIAGE 2

CGB9B01 21b-1



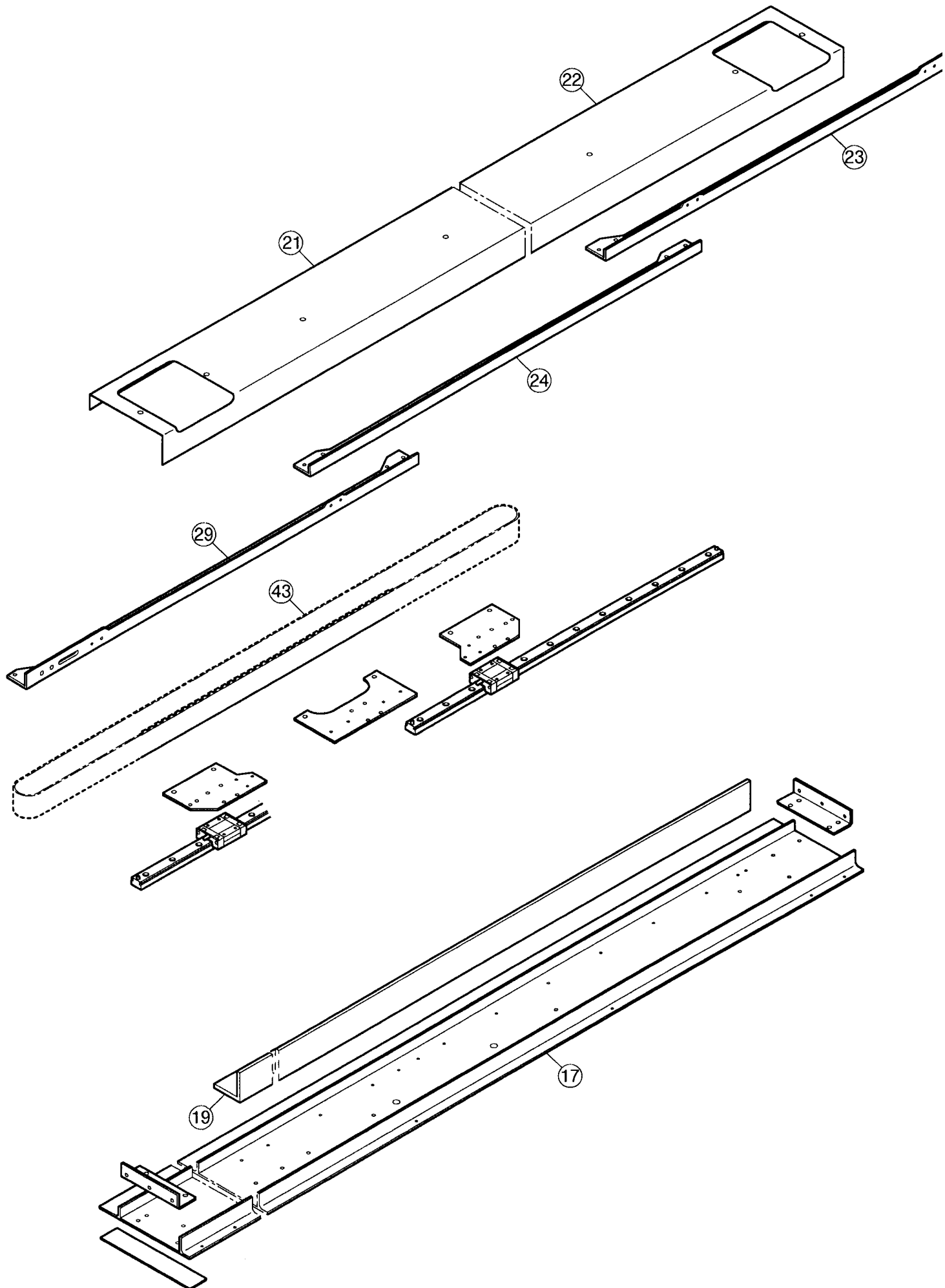
X CARRIAGE 2

21b-1

組	指図	部品番号		CGB9B01
Ass'y	El't	PARTS No.	PARTS NAMES	NOTE / 備考
	1	→21a	X carriage base cover (right) (by model)	
	2	→21a	X carriage base cover (left) (by model)	
	3	STAB04006	Truss head screw (cross recessed, M4x6)	
	6	SCBD04006	Hexagon socket head cap screw with flange (M4x6)	
	7	WPAD04000	Plain washer (M4)	
	8	HCG25492	Cover bracket (left)	
	10	SCBD04012	Hexagon socket head cap screw with flange (M4x12)	
	12	HCG25740	Plate	
	13	SCBD04008	Hexagon socket head cap screw with flange (M4x8)	
	14	→21a	Reinforcement plate (by model)	
	15	→21a	X carriage base (by model)	
	16	HCG25870	X carriage base cover (front)	
	17	HCG25880	X carriage base cover (rear)	
	18	HCG25890	Cover bracket (right)	
	19	HCG25820	Stay Connecting plate	
	20	WPAD05000	Plain washer (M5)	
	21	WSAD05000	Spring lock washer (M5)	
	22	SCAD05012	Hexagon socket head cap screw (M5x12)	

X CARRIAGE

CGB9209 **22a-1**

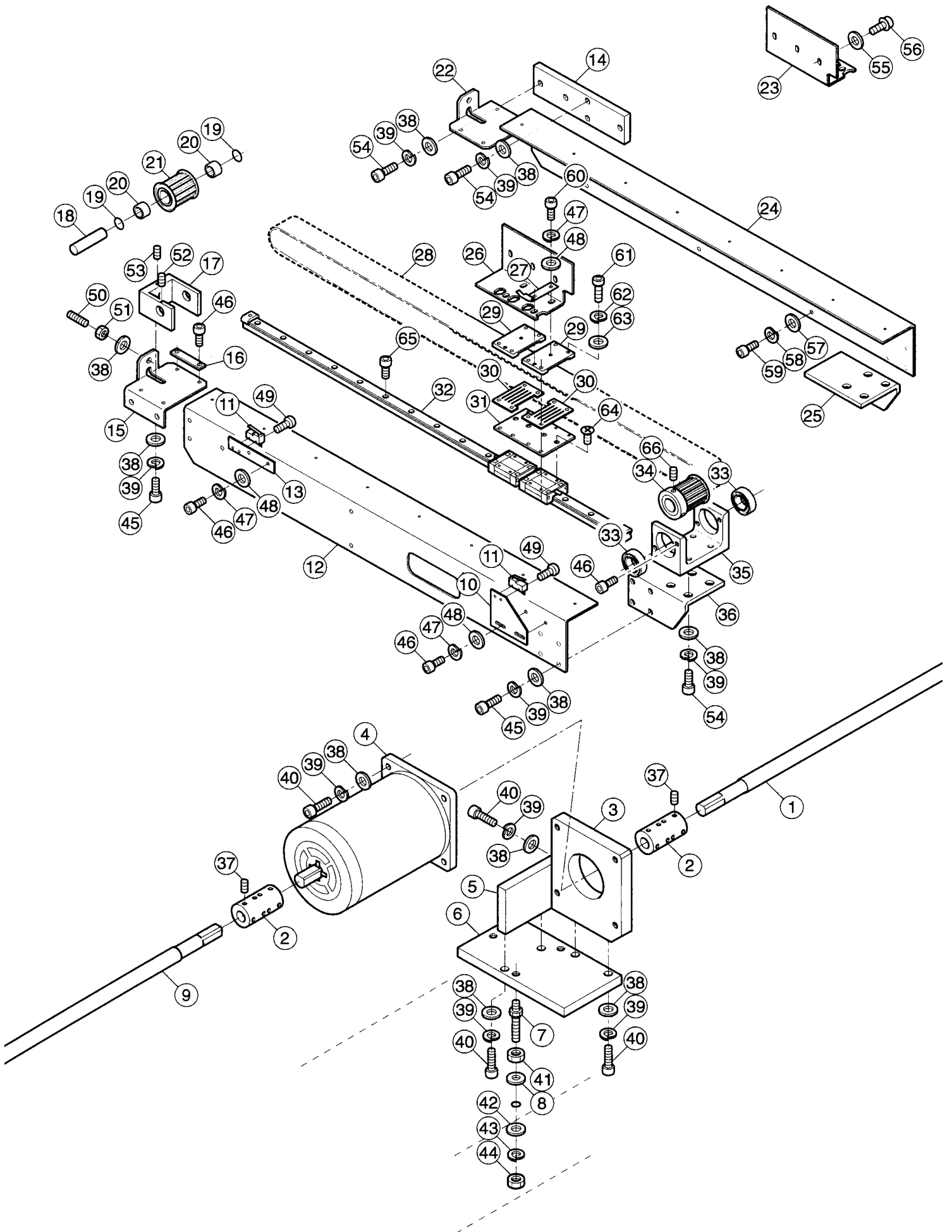


指図 / El't PARTS NAMES		1 7 X carriage base	1 9 Reinforcement plate	2 1 X carriage base cover (right)	2 2 X carriage base cover (left)
機種 MODEL	1 2 0 6 B	HCG25402	HCG25701	HCG25441	HCG25471
	1 0 0 6 B	HCG25402	HCG25701	HCG25441	HCG25471
	X 1 2 0 4 B	HCG25542	HCG25711	HCG25581	HCG25591
	X 1 0 0 4 B	HCG25542	HCG25711	HCG25581	HCG25591
	1 2 0 4 B	HCG25620	HCG25640	HCG25630	-
	1 0 0 4 B	HCG25620	HCG25640	HCG25630	-
	1 2 0 2 B	HCG25650	HCG25690	HCG25660	-
	1 0 0 2 B	HCG25650	HCG25690	HCG25660	-

指図 / El't PARTS NAMES		2 3 Connecting plate (right)	2 4 Connecting plate (middle)	2 9 Connecting plate (left)	4 3 Timing belt
機種 MODEL	1 2 0 6 B	HCG25422	HCG25530	HCG25432	MPV00530
	1 0 0 6 B	HCG25422	HCG25530	HCG25432	MPV00530
	X 1 2 0 4 B	HCG25551	HCG25561	HCG25571	MPV00520
	X 1 0 0 4 B	HCG25551	HCG25561	HCG25571	MPV00520
	1 2 0 4 B	HCG25422	-	HCG25432	MPV00530
	1 0 0 4 B	HCG25422	-	HCG25432	MPV00530
	1 2 0 2 B	HCG25671	-	HCG25681	MPV00520
	1 0 0 2 B	HCG25671	-	HCG25681	MPV00520

Y CARRIAGE A

CGB1828 **23a-1**



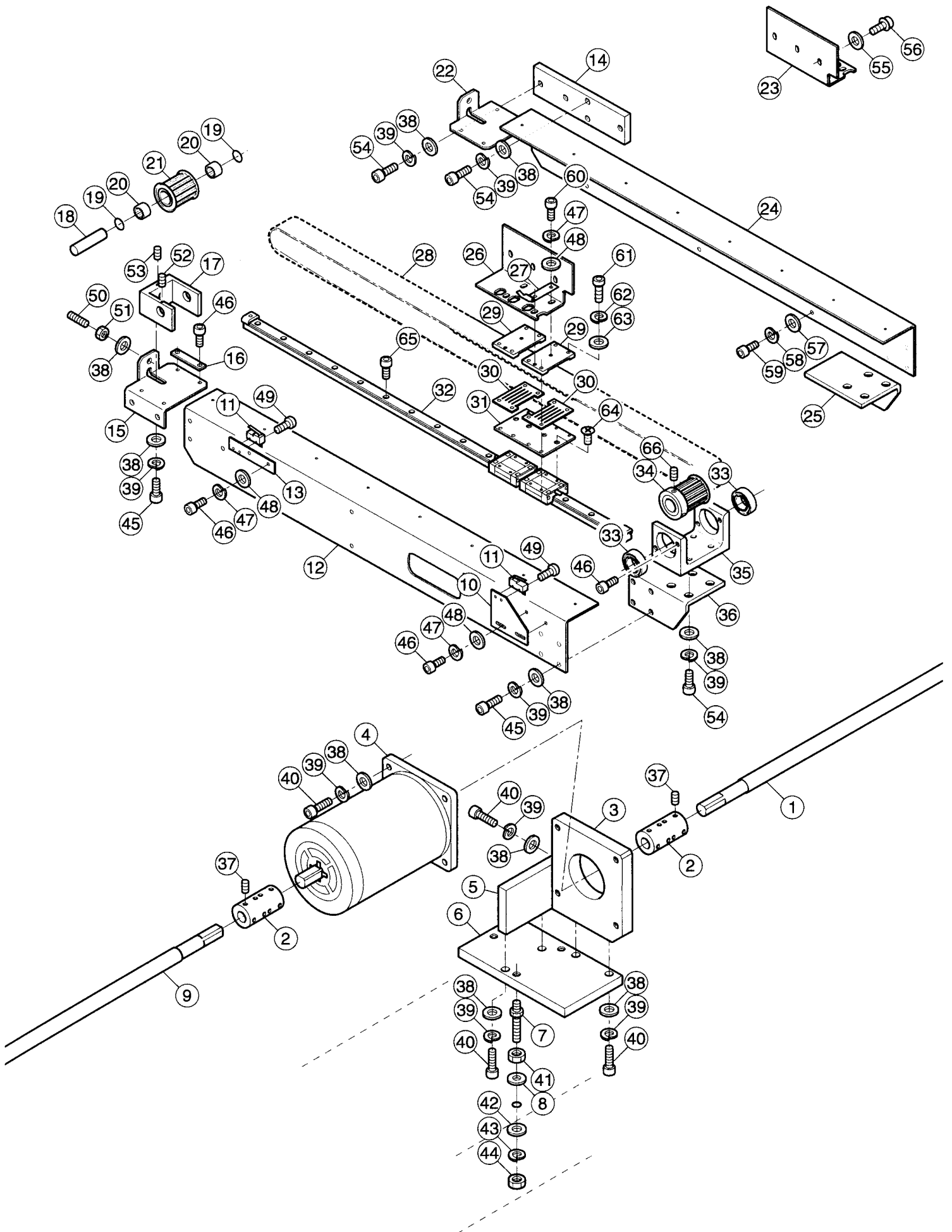
Y CARRIAGE A

23a-1

組 Ass'y	指図 El't	部品番号 PARTS No.	PARTS NAMES	CGB0623 NOTE / 備考
		1 →24a	Y carriage drive shaft (left) (by model)	
		2 M0424093	Coupling A	
		3 HCG26020	Pulse motor bracket	
		4 EPM00420	Pulse motor	
		5 HCG26030	Stay	
		6 HCG26010	Base	
		7 HCG04200	Stud	
		8 HCG04211	Washer	
		9 →24a	Y carriage drive shaft (right) (by model)	
		10 HCG24382	Limit switch bracket (rear)	
		11 HCG75040	Limit switch	
		12 HCG24410	Rail bracket (right)	
		13 HCG24372	Limit switch bracket (front)	
		14 HCG24360	Fixing plate	
		15 HCG24340	Idler pulley bracket (right)	
		16 HCG24100	Guide plate	
		17 HCG24250	Idler pulley support	
		18 M0424180	Idler shaft	
		19 M0424160	Spacer	
		20 MPB00280	Needle bearing (HK1210)	
		21 HCG24050	Idler pulley	
		22 HCG24350	Idler pulley bracket (left)	
		23 HCG24402	Stay (left)	
		24 HCG24420	Rail bracket (left)	
		25 HCG24333	Bracket (left)	
		26 HCG24392	Stay (right)	
		27 HCG24161	Limit switch dog	
		28 MPV00060	Timing belt	
		29 HCG24131	Belt fixing plate	
		30 HCG24230	Belt holding plate A	
		31 HCG24430	Belt holding plate C	
		32 HCG24031	LM guide	
		33 MPB00750	Bearing (6903ZZNR)	
		34 HCG24040	Drive pulley	
		35 HCG24312	Drive shaft support	
		36 HCG24323	Bracket (right)	

Y CARRIAGE A

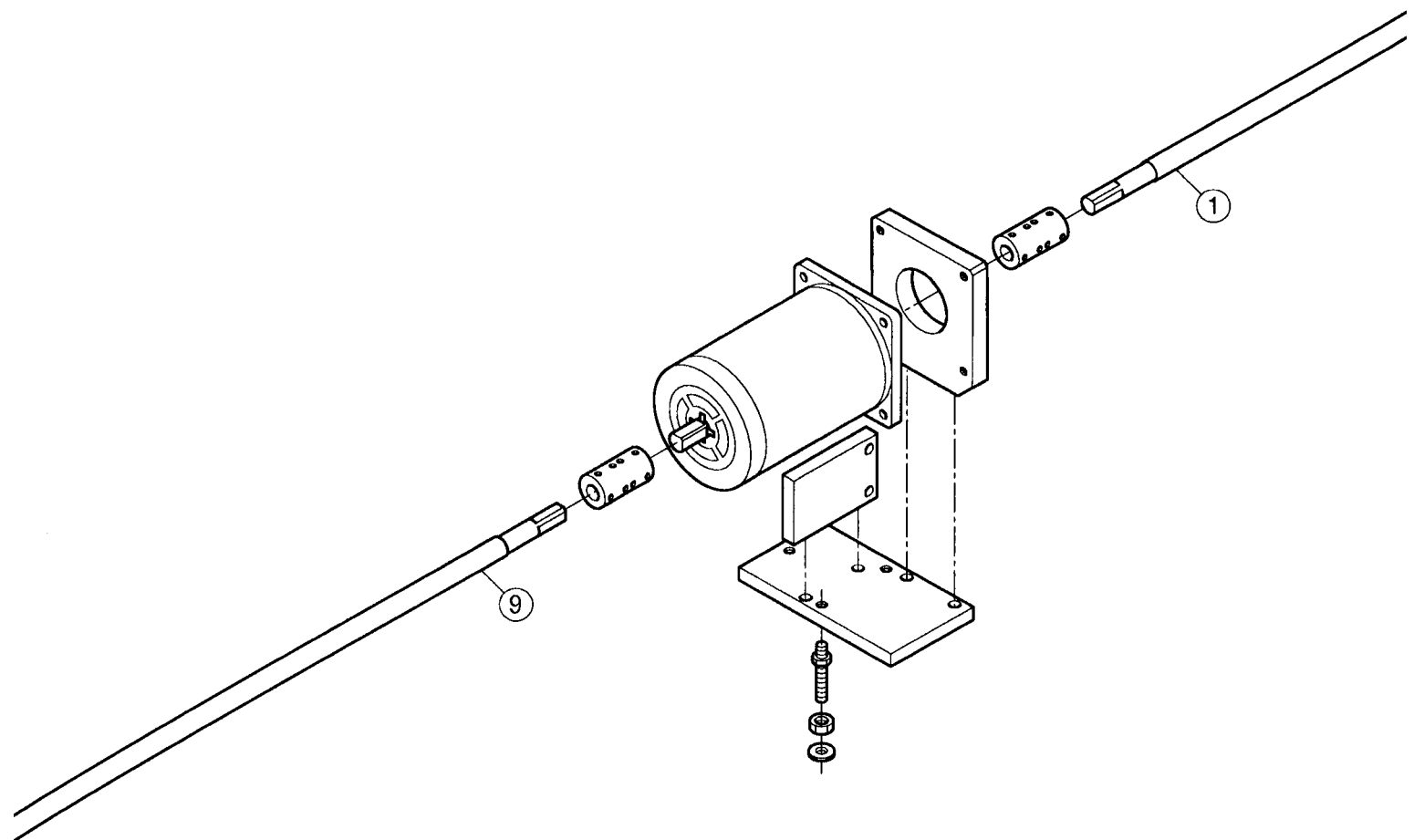
CGB1828 **23a-2**



Y CARRIAGE A

23a-2

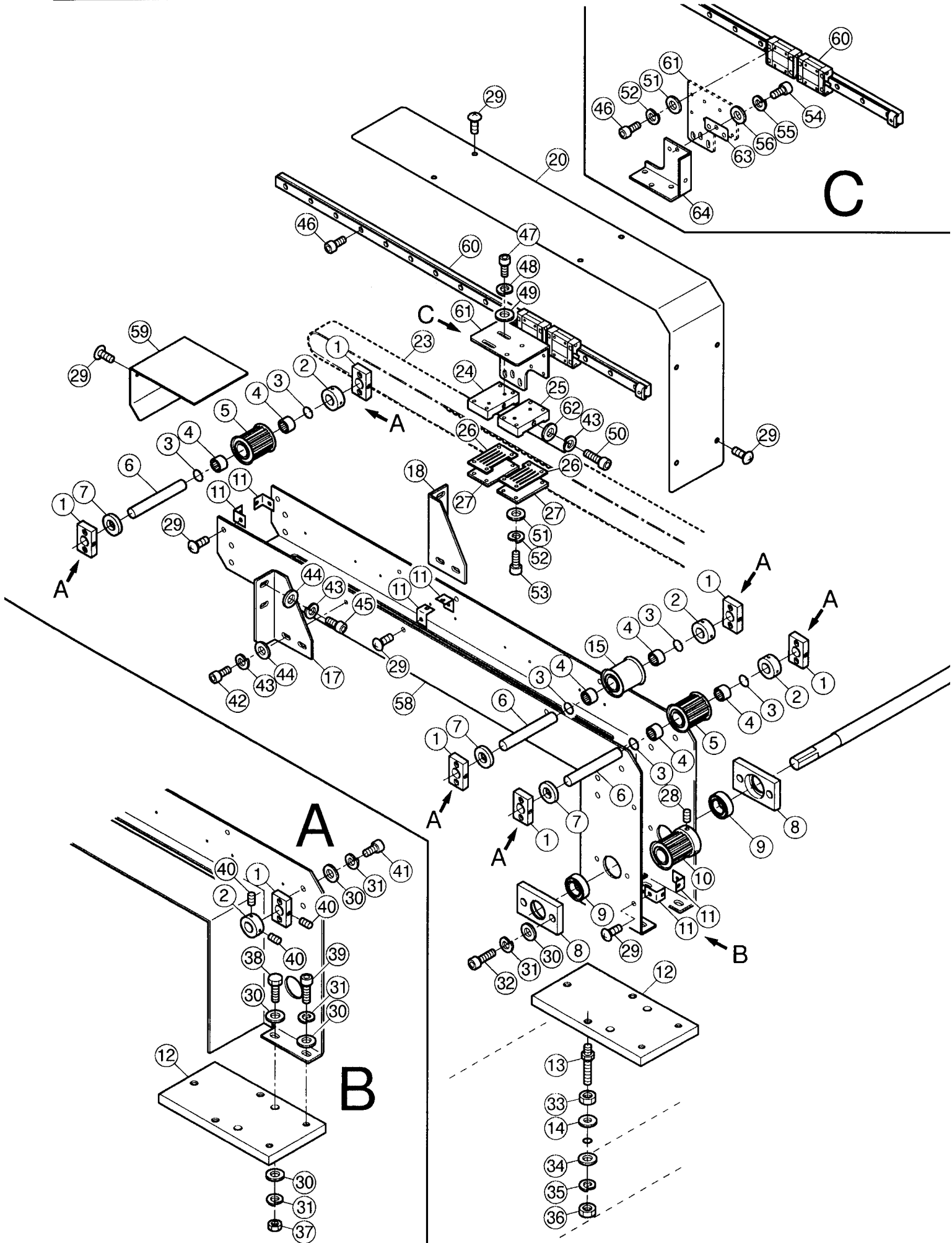
組 Ass'y	指図 Elt	部品番号 PARTS No.	PARTS NAMES	CGB1828 NOTE / 備考
	37	SSAD05010	Hexagon socket set screw (M5x10)	
	38	WPAA06000	Plain washer (M6)	
	39	WSAA06000	Spring lock washer (M6)	
	40	SCAA06025	Hexagon socket head cap screw (M6x25)	
	41	NHAA08000	Hexagon nut (M8)	
	42	WPAD08000	Plain washer (M8)	
	43	WSAD08000	Spring lock washer (M8)	
	44	NHAD08000	Hexagon nut (M8)	
	45	SCAA06012	Hexagon socket head cap screw (M6x12)	
	46	SCAA04008	Hexagon socket head cap screw (M4x8)	
	47	WSAA04000	Spring lock washer (M4)	
	48	WPAA04000	Plain washer (M4)	
	49	SPAC2C008	Pan head screw (cross recessed, M2.3x8)	
	50	SSAA06035	Hexagon socket set screw (M6x35)	
	51	NHAA06000	Hexagon nut (M6)	
	52	SSAA03006	Hexagon socket set screw (M3x6)	
	53	SSAA04008	Hexagon socket set screw (M4x8)	
	54	SCAA06015	Hexagon socket head cap screw (M6x15)	
	55	WPAD04000	Plain washer (M4)	
	56	SCBD04010	Hexagon socket head cap screw with flange (M4x10)	
	57	WPAA05000	Plain washer (M5)	
	58	WSAA05000	Spring lock washer (M5)	
	59	SCAA05010	Hexagon socket head cap screw (M5x10)	
	60	SCAA04010	Hexagon socket head cap screw (M4x10)	
	61	SCAA03015	Hexagon socket head cap screw (M3x15)	
	62	WSAA03000	Spring lock washer (M3)	
	63	WPAA03000	Plain washer (M3)	
	64	HCA24180	Flat head screw	
	65	SCAA03010	Hexagon socket head cap screw (M3x10)	
	66	SSAA06010	Hexagon socket set screw (M6x10)	



指図 / El't PARTS NAMES		1 Y carriage drive shaft (left)	9 Y carriage drive shaft (right)	
機種 MODEL	1 2 0 6 B	HCG26050	HCG26040	
	1 0 0 6 B	HCG26050	HCG26040	
	X 1 2 0 4 B	HCG26400	HCG26390	
	X 1 0 0 4 B	HCG26400	HCG26390	
	1 2 0 4 B	HCG26410	HCG26040	
	1 0 0 4 B	HCG26410	HCG26040	
	1 2 0 2 B	HCG26430	HCG26420	
	1 0 0 2 B	HCG26430	HCG26420	

Y CARRIAGE B

CGB9B01 25a-1



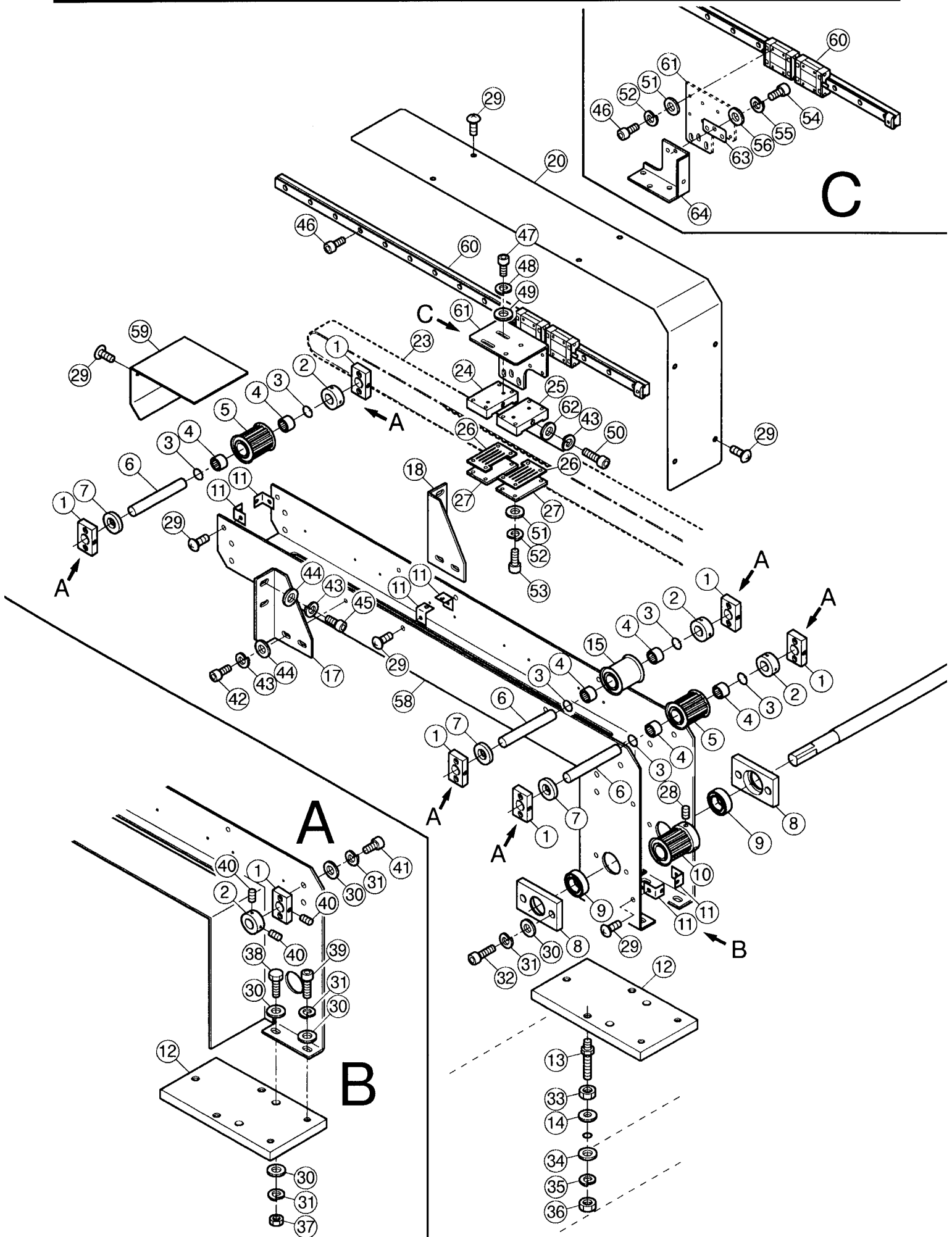
Y CARRIAGE B

25a-1

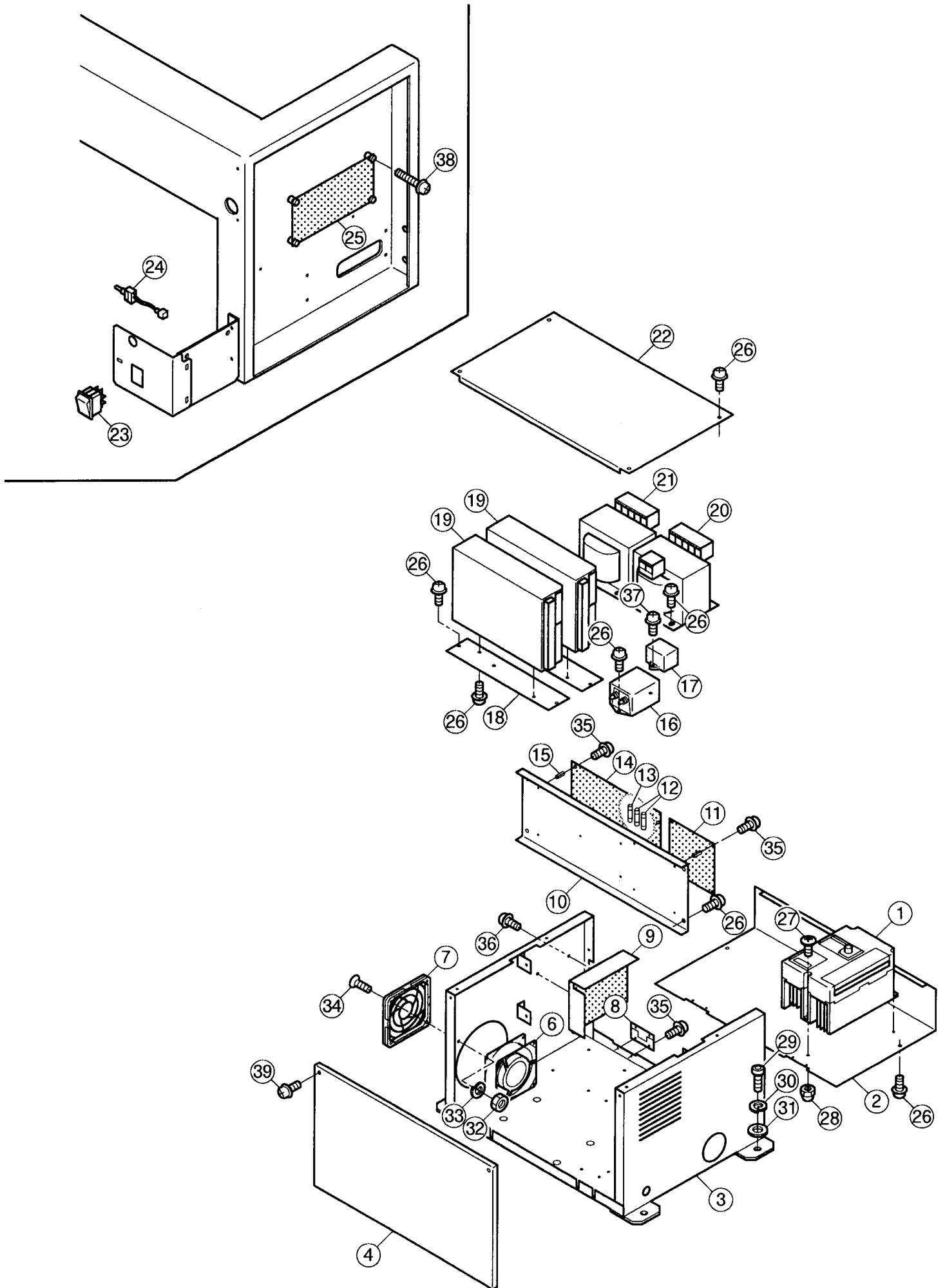
組 Ass'y	指図 Elt	部品番号 PARTS No.	PARTS NAMES	CGB9B01 NOTE / 備考
	1	HCG26280	Idler shaft support	
	2	HCG26300	Collar A	
	3	M0424160	Spacer	
	4	MPB00280	Needle bearing (HK1210)	
	5	HCG24050	Idler pulley	
	6	HCG26290	Idler shaft	
	7	HCG26310	Collar B	
	8	HCG26271	Drive shaft support	
	9	MPB00270	Bearing (6903ZZ)	
	10	HCG24040	Drive pulley	
	11	HCG26350	Cover bracket	
	12	HCG26200	Arm base	
	13	HCG04200	Stud	
	14	HCG04211	Washer	
	15	HCG26320	Guide pulley	
	17	HCG26330	Arm fixing plate (right)	
	18	HCG26340	Arm fixing plate (left)	
	20	HCG26371	Cover B	
	23	MPV00060	Timing belt	
	24	HCG26240	Belt holding block A	
	25	HCG26250	Belt holding block B	
	26	HCG24230	Belt holding plate A	
	27	HCG26260	Belt holding plate	
	28	SSAA06010	Hexagon socket set screw (M6x10)	
	29	STAB04006	Truss head screw (cross recessed, M4x6)	
	30	WPAA06000	Plain washer (M6)	
	31	WSAA06000	Spring lock washer (M6)	
	32	SCAA06018	Hexagon socket head cap screw (M6x18)	
	33	NHAA08000	Hexagon nut (M8)	
	34	WPAD08000	Plain washer (M8)	
	35	WSAD08000	Spring lock washer (M8)	
	36	NHAD08000	Hexagon nut (M8)	
	37	NHAA06000	Hexagon nut (M6)	
	38	SHAA06025	Hexagon head bolt (M6x25)	
	39	SCAA06020	Hexagon socket head cap screw (M6x20)	
	40	SSAA05006	Hexagon socket set screw (M5x6)	
	41	SCAA06012	Hexagon socket head cap screw (M6x12)	

Y CARRIAGE B

CGB9B01 25a-2



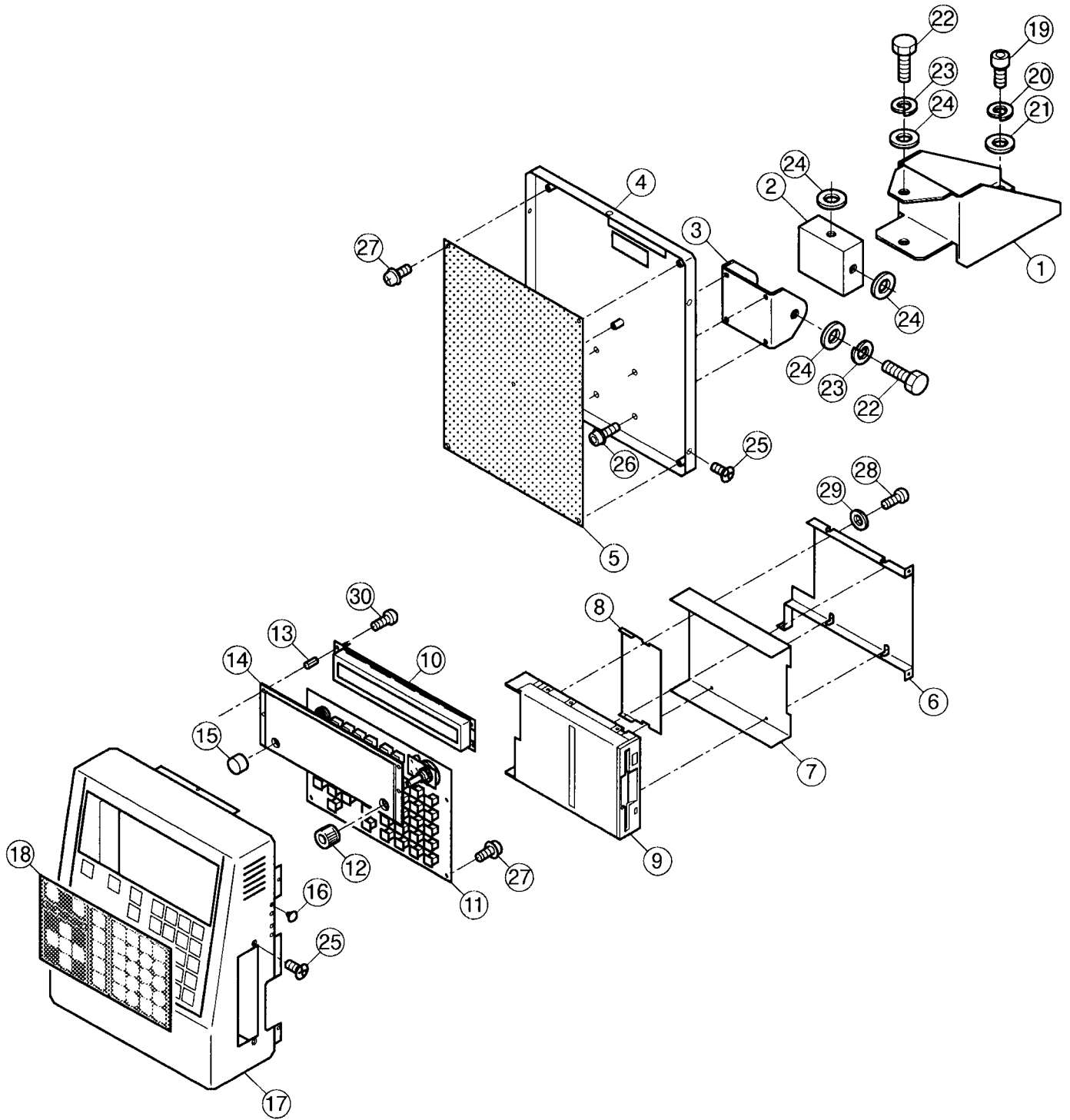
組 Ass'y	指図 El't	部品番号 PARTS No.	PARTS NAMES	CGB9B01 NOTE / 備考
	42	SCAA05010	Hexagon socket head cap screw (M5x10)	
	43	WSAA05000	Spring lock washer (M5)	
	44	WPAA05000	Plain washer (M5)	
	45	SCAA05012	Hexagon socket head cap screw (M5x12)	
	46	SCAA03008	Hexagon socket head cap screw (M3x8)	
	47	SCAA04005	Hexagon socket head cap screw (M4x5)	
	48	WSAA04000	Spring lock washer (M4)	
	49	WPAA04000	Plain washer (M4)	
	50	SCAA05050	Hexagon socket head cap screw (M5x50)	
	51	WPAA03000	Plain washer (M3)	
	52	WSAA03000	Spring lock washer (M3)	
	53	SCAA03015	Hexagon socket head cap screw (M3x15)	
	54	SCAD05010	Hexagon socket head cap screw (M5x10)	
	55	WSAD05000	Spring lock washer (M5)	
	56	WPAD05000	Plain washer (M5)	
	58	HCG26440	Carriage arm	
	59	HCG26460	Cover A	
	60	HCG24031	LM guide	
	61	HCG26450	Stay	
	62	WPBA05000	Plain washer (M5)	
	63	HCG25830	Washer	
	64	HCG25820	Stay Connecting plate	



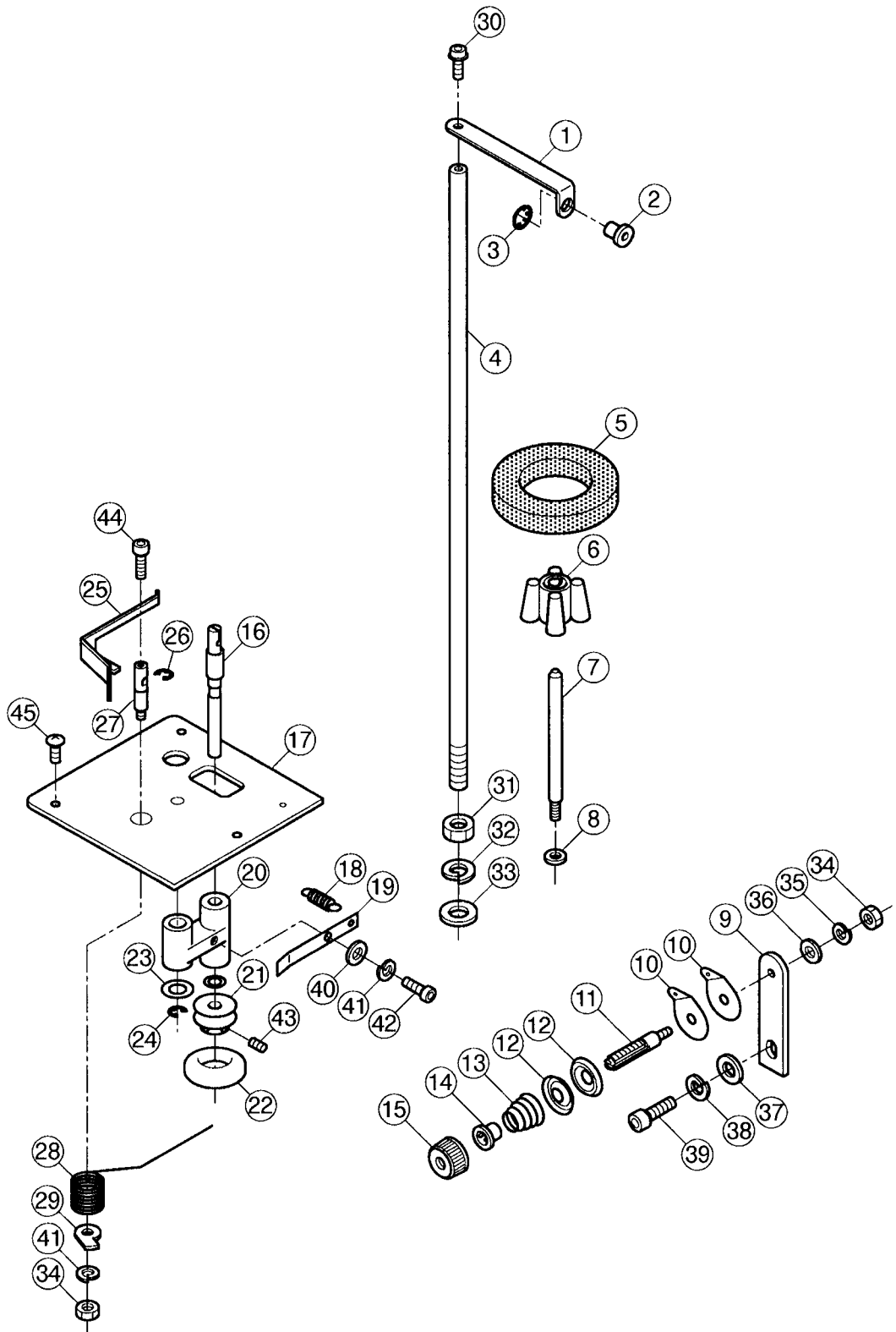
MAIN UNIT

26a-1

組 Ass'y	指図 Elt	部品番号 PARTS No.	PARTS NAMES	CGB1828 NOTE / 備考
	1	EPM00430	Inverter	
	2	HCG27131	Rear cover	
	3	HCG27112	Main unit box	
	4	HCG27120	Front cover	
	6	EPK00710	Fan	
	7	EPK00300	Filter	
	8	MPZ00420	Hinge	
	9	EPK00770	Switching power supply	
	10	HCG27150	Circuit board mount	
	11	HCG83092	Thread catch circuit board ass'y	
	12	EPF00330	Fuse (2A)	
	13	EPF00340	Fuse (3A)	
	14	HCG83072	Power supply circuit board ass'y	
	15	MPZ00470	Spacer (BSB-312)	
	16	EPK00470	Noise filter	
	17	EPC00940	Surge protector	
	18	HCG27030	Driver mount	
	19	EPM00400	Pulse motor driver	
	20	EPK00480	Transformer	
	21	HCG75100	Transformer	
	22	HCG27140	Top cover	
	23	EPS00810	Power switch	
	24	M0435150	Brake switch	
	25	HCG83080	Connector circuit board ass'y	
	26	SPDB04008	Pan head screw (cross recessed, M4x8)	
	27	SBAB04008	Binding head screw (M4x8)	
	28	NDAD04000	Domed cap nut (M4)	
	29	SCAD06015	Hexagon socket head cap screw (M6x15)	
	30	WSAD06000	Spring lock washer (M6)	
	31	WPAD06000	Plain washer (M6)	
	32	NHAD04000	Hexagon nut (M4)	
	33	WSAD04000	Spring lock washer (M4)	
	34	SGAD04020	Flat head screw (cross recessed head, M4x20)	
	35	SPDD03006	Pan head screw (cross recessed, M3x6)	
	36	SPDD03008	Pan head screw (cross recessed, M3x8)	
	37	SPDD04008	Pan head screw (cross recessed, M4x8)	
	38	SPDD03015	Pan head screw (cross recessed, M3x15)	
	39	SPDB04016	Pan head screw (cross recessed, M4x16)	



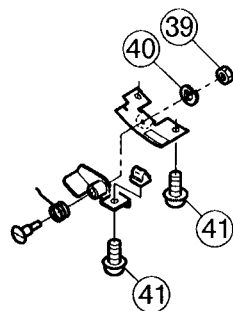
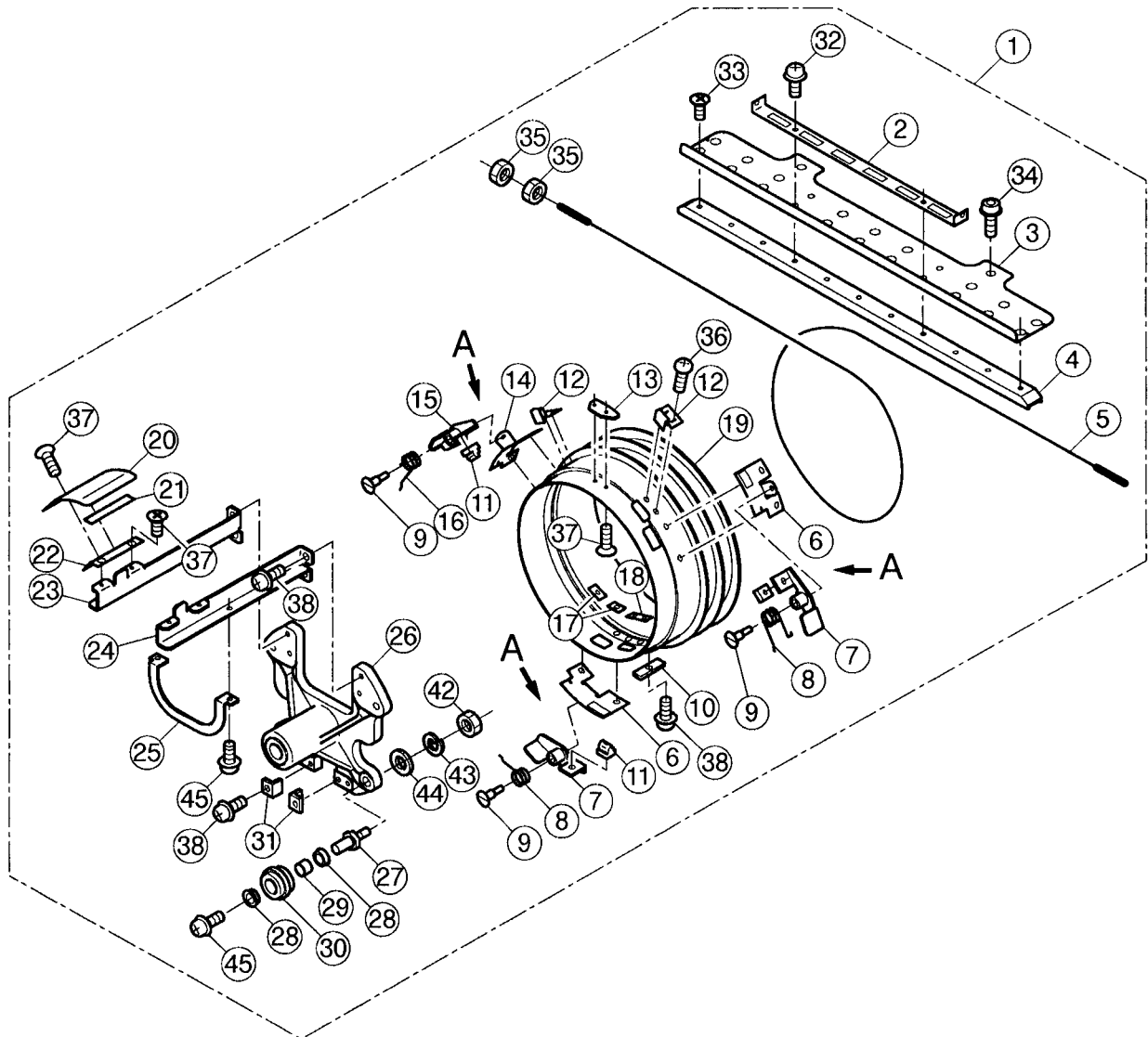
組 Ass'y	指図 Elt	部品番号 PARTS No.	PARTS NAMES	CGB2501 NOTE / 備考
	1	HCG29163	Control box base E	
	2	HCG29040	Control box base B	
	3	HCG29031	Control box base A	
	4	HCG29142	Rear panel	
	5	HCG83054	CPU board ass'y	
	6	HCG29150	FDD bracket	
	7	M0429360	Insulation plate	
	8	HMF29111	Insulation plate B	
	9	EPZ00282	Disk drive unit (3 mode type)	
	10	SF429092	Liquid crystal display	
	11	HCG83060	Switch board ass'y	
	12	EPS00350	Volume knob	
	13	MPZ01980	Spacer (AS-312)	
	14	HCG29111	Display panel	
	15	EPS00640	Switch top	
	16	FRA44630	Cushion	
	17	HCG29132	Chassis	
	18	HCG51031	Switch sheet C	
	19	SCAD06015	Hexagon socket head cap screw (M6x15)	
	20	WSAD06000	Spring lock washer (M6)	
	21	WPAD06000	Plain washer (M6)	
	22	SHAD08020	Hexagon head bolt (M8x20)	
	23	WSAD08000	Spring lock washer (M8)	
	24	WPAD08000	Plain washer (M8)	
	25	SGAB03006	Flat head screw (cross recessed head, M3x6)	
	26	SCBD04006	Hexagon socket head cap screw with flange (M4x6)	
	27	SPDD03006	Pan head screw (cross recessed, M3x6)	
	28	SPAH03004	Pan head screw (cross recessed, M3x4)	
	29	WPBD03000	Plain washer (M3)	
	30	SPAD03006	Pan head screw (cross recessed, M3x6)	



BOBBIN WINDER

28a-1

組 Ass'y	指図 El't	部品番号 PARTS No.	PARTS NAMES	CGB0004 NOTE / 備考
	1	HCG60140	Thread guide plate	
	2	M0445080	Eyelet	
	3	MPR00110	SE-ring (SE-7)	
	4	HCG60130	Thread guide pillar	
	5	HMF20571	Thread stand felt (80)	
	6	MPZ00340	Plastic spring	
	7	M0420032	Thread stand pin	
	8	M0420890	Washer	
	9	HCG60121	Thread guide unit stay	
	10	MPZ00200	Thread guide plate	
	11	M0418211	Tension shaft	
	12	MPZ00221	Disc	
	13	MPZ02220	Spring	
	14	MPZ00280	Spring guide	
	15	MPZ00960	Tension nut	
	16	HCG60032	Shaft	
	17	HCG60012	Base	
	18	HCG60060	Tension coil spring	
	19	HCG60052	Leaf spring	
	20	HCG60020	Lever	
	21	HCG60040	Trailing wheel	
	22	MPZ01910	Rubber ring	
	23	MPB00120	Plastic thrust washer (TW0815)	
	24	MPR00470	E-ring (E-6)	
	25	HCG60090	Guide	
	26	MPR00080	E-ring (E-5)	
	27	HCG60071	Lever shaft	
	28	HCG60080	Torsion coil spring	
	29	HCG60153	Lever	
	30	SCBD04008	Hexagon socket head cap screw with flange (M4x8)	
	31	NHAD08000	Hexagon nut (M8)	
	32	WSAD08000	Spring lock washer (M8)	
	33	WPAD08000	Plain washer (M8)	
	34	NHAD04000	Hexagon nut (M4)	
	35	WSAD04000	Spring lock washer (M4)	
	36	WPAD04000	Plain washer (M4)	
	37	WPAA05000	Plain washer (M5)	
	38	WSAA05000	Spring lock washer (M5)	
	39	SCAA05010	Hexagon socket head cap screw (M5x10)	
	40	WPAA04000	Plain washer (M4)	
	41	WSAA04000	Spring lock washer (M4)	
	42	SCAA04008	Hexagon socket head cap screw (M4x8)	
	43	SSAA03004	Hexagon socket set screw (M3x4)	
	44	SCAD03012	Hexagon socket head cap screw (M3x12)	
	45	STAB04006	Truss head screw (cross recessed, M4x6)	



A

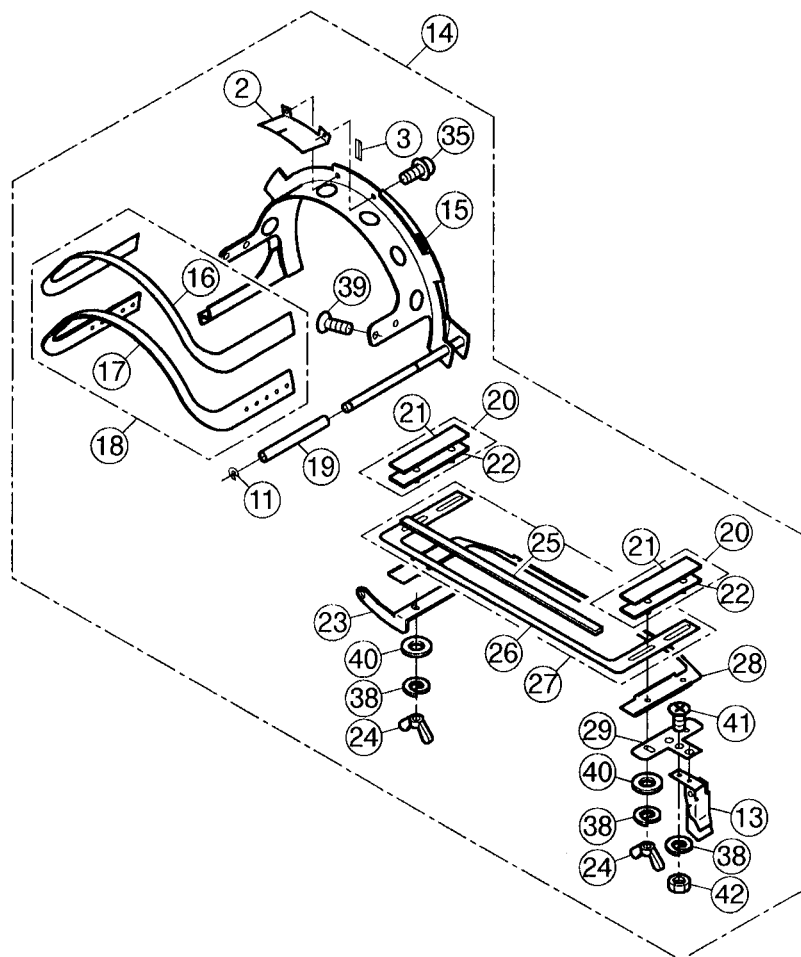
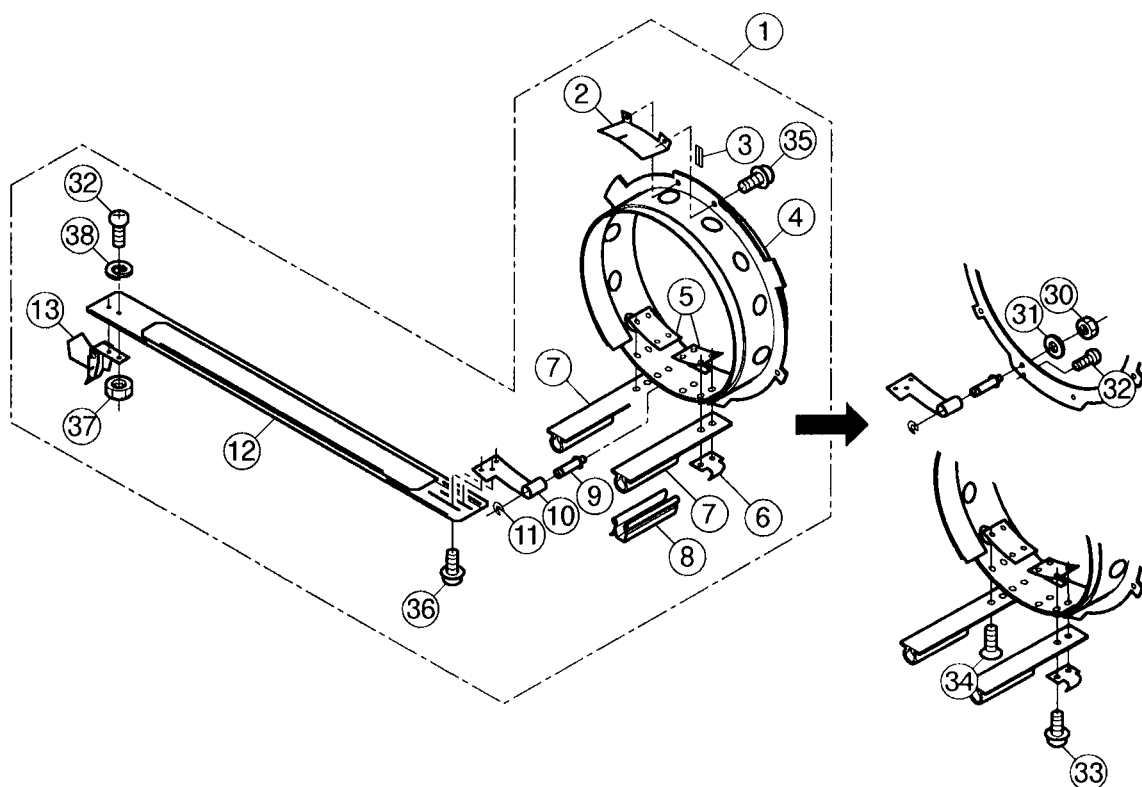
CAP FRAME (DRIVE FRAME)

29a-1

組 Ass'y	指図 El't	部品番号 PARTS No.	PARTS NAMES	CGB8A18 NOTE / 備考
	1	FRA43501	Drive frame ass'y A (red)	
	1	FRA43881	Drive frame ass'y B (blue)	
	2	FRA43790	Wire fixing plate	
	3	FRA43830	Rail bracket	
	4	FRA43820	Rail	
	5	FRA43780	Wire	
	6	FRA43590	Lever bracket (right)	
	7	FRA43560	Hold lever ass'y (right)	
	8	FRA43620	Torsion coil spring (right)	
	9	FRA43610	Support pin	
	10	FRA43800	Wire keeper	
	11	FRA43601	Lock pin	
	12	FRA43550	Spring	
	13	FRA43540	Center guide	
	14	FRA43650	Lever bracket (left)	
	15	FRA43630	Hold lever ass'y (left)	
	16	FRA43660	Torsion coil spring (left)	
	17	FRA43670	Plate nut (M4)	
	18	FRA43680	Plate nut (M3)	
	19	FRA43841	rotary cylinder	
	20	FRA43700	Guide	
	21	FRA43740	Protect sheet	
	22	FRA43730	Guide bracket	
	23	FRA43721	Guide support (left)	
	24	FRA43711	Guide support (right)	
	25	FRA43690	Reinforcement plate	
	26	FRA43971	Base ass'y	
	27	FRA43530	Guide roller pin	
	28	FRA43520	Bearing	
	29	FRA43750	Guide roller spacer	
	30	FRA43510	Guide roller	
	31	FRA43810	Stopper	
	32	SPDD04012	Pan head screw (cross recessed, M4x12)	
	33	SGAD04008	Flat head screw (cross recessed head, M4x8)	
	34	SCAD04008	Hexagon socket head cap screw (M4x8)	
	35	NHAD03000	Hexagon nut (M3)	
	36	SPAD03005	Pan head screw (cross recessed, M3x5)	
	37	SGAD03004	Flat head screw (cross recessed head, M3x4)	
	38	SPDD04010	Pan head screw (cross recessed, M4x10)	
	39	NHCD04000	Hexagon nut (M4)	
	40	WSAD04000	Spring lock washer (M4)	
	41	SPDD04008	Pan head screw (cross recessed, M4x8)	
	42	NHAD05000	Hexagon nut (M5)	
	43	WSAD05000	Spring lock washer (M5)	
	44	WPAD05000	Plain washer (M5)	
	45	SPDD04006	Pan head screw (cross recessed, M4x6)	

CAP FRAME (HOLD FRAME)

CGB8A18 29b-1



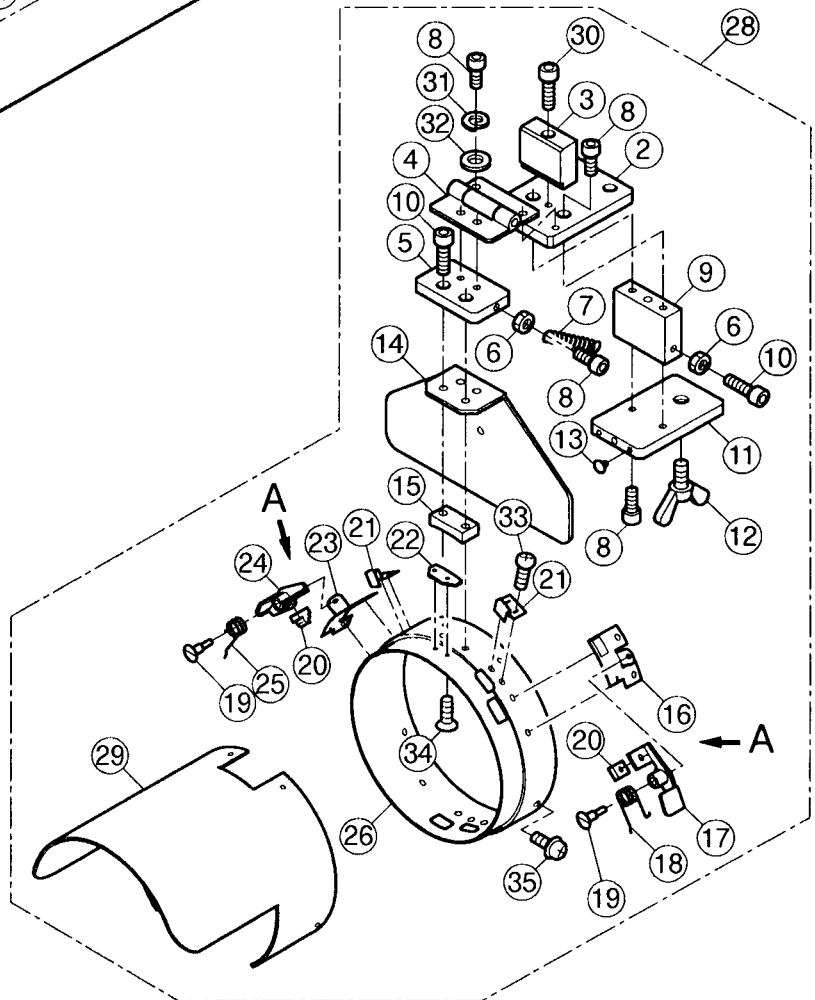
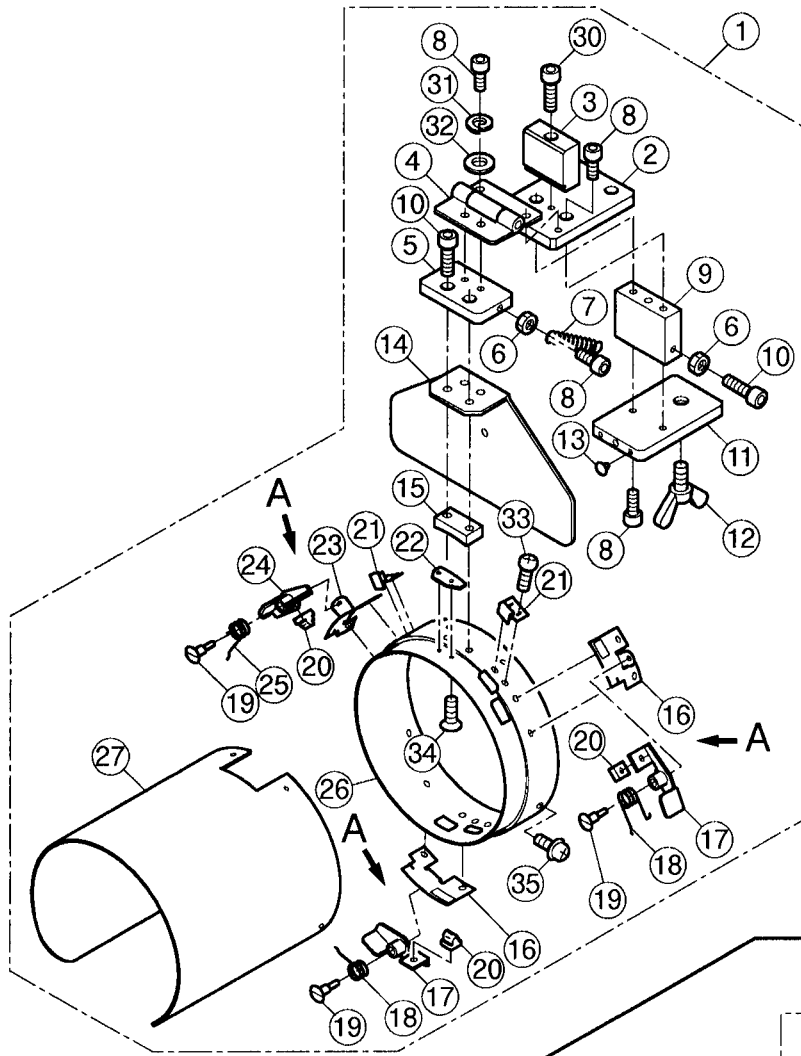
CAP FRAME (HOLD FRAME)

29b-1

組 Ass'y	指図 El't	部品番号 PARTS No.	PARTS NAMES	CGB1131 NOTE / 備考
	1	FRA44001	Cap hold frame ass'y (wide type)	
	2	FRA44210	Positioning plate	
	3	FRA44180	Cap marker	
	4	FRA44101	Cap hold frame (wide type)	
	5	FRA44050	Cap holder bracket	
	6	FRA44031	Hook	
	7	FRA44201	Cap holder A	
	8	FRA44090	Clip	
	9	FRA44012	Guide pin	
	10	FRA44022	Grip bracket	
	11	FRA44170	E-ring	
	12	FRA44041	Cap grip	
	13	FRA44160	Latch	
	14	FRA46011	Cap hold frame ass'y (semi wide type)	
	15	FRA46025	Cap hold frame (semi wide type)	
	16	FRA46221	Clamp support cushion	
	17	FRA46121	Clamp support	
	18	FRA46111	Clamp support ass'y	
	19	FRA46141	Spacer	
	20	FRA46171	Side holder ass'y	
	21	FRA46231	Side holder cushion	
	22	FRA46181	Side holder	
	23	FRA46082	Bracket	
	24	NWBB03000	Wing nut (M3)	
	25	FRA46241	Clamp cushion	
	26	FRA46201	Clamp A	
	27	FRA46191	Clamp A ass'y	
	28	FRA46211	Clamp B	
	29	FRA46151	Latch bracket	
	30	NHAD04000	Hexagon nut (M4)	
	31	WPAD04000	Plain washer (M4)	
	32	SPAD03005	Pan head screw (cross recessed, M3x5)	
	33	SPDD04012	Pan head screw (cross recessed, M4x12)	
	34	SGAD04008	Flat head screw (cross recessed head, M4x8)	
	35	SPDD03005	Pan head screw (cross recessed, M3x5)	
	36	SPDD03004	Pan head screw (cross recessed, M3x4)	
	37	NHAD03000	Hexagon nut (M3)	
	38	WSAD03000	Spring lock washer (M3)	
	39	SGAD03004	Flat head screw (cross recessed head, M3x4)	
	40	WPAD03000	Plain washer (M3)	
	41	SGAD03006	Flat head screw (cross recessed head, M3x6)	
	42	NHCD03000	Hexagon nut (M3)	

CAP FRAME (CAP STRETCHER)

CGB8A18 29c-1



CAP FRAME (CAP STRETCHER)

29c-1

組 Ass'y	指図 El't	部品番号 PARTS No.	PARTS NAMES	CGB8A18 NOTE / 備考
	1	FRA44501	Cap stretcher (for wide type)	
	2	FRA44600	Base E	
	3	FRA44610	Stopper A	
	4	FRA44580	Hinge	
	5	FRA44590	Base D	
	6	NHAD05000	Hexagon nut (M5)	
	7	FRA44620	Tension coil spring	
	8	SCAD05012	Hexagon socket head cap screw (M5x12)	
	9	FRA44561	Base B	
	10	SCAD05020	Hexagon socket head cap screw (M5x20)	
	11	FRA44571	Base C	
	12	SWAB10020	Wing bolt (M10x20)	
	13	FRA44630	Cushion	
	14	FRA44531	Back plate	
	15	FRA44540	R block	
	16	FRA43590	Lever bracket (right)	
	17	FRA43560	Hold lever ass'y (right)	
	18	FRA43620	Torsion coil spring (right)	
	19	FRA43610	Support pin	
	20	FRA43601	Lock pin	
	21	FRA43550	Spring	
	22	FRA43540	Center guide	
	23	FRA43650	Lever bracket (left)	
	24	FRA43630	Hold lever ass'y (left)	
	25	FRA43660	Torsion coil spring (left)	
	26	FRA44510	Cylinder	
	27	FRA44521	Stretch plate (for wide type)	
	28	FRA46310	Cap stretcher (for semi wide type)	
	29	FRA46300	Stretch plate (for semi wide type)	
	30	SCAD05035	Hexagon socket head cap screw (M5x35)	
	31	WSAD05000	Spring lock washer (M5)	
	32	WPAD05000	Plain washer (M5)	
	33	SPAD03005	Pan head screw (cross recessed, M3x5)	
	34	SGAD03005	Flat head screw (cross recessed head, M3x5)	
	35	SPDD04010	Pan head screw (cross recessed, M4x10)	
	36	NHCD04000	Hexagon nut (M4)	
	37	WSAD04000	Spring lock washer (M4)	
	38	SPDD04008	Pan head screw (cross recessed, M4x8)	



HAPPY

HAPPY Industrial Corporation

HEAD OFFICE 5-9-16, Miyamachi, Yamagata-city 990-0057, Japan
Phone: 023-623-7111 FAX: 023-623-2654

TOKYO OFFICE 2-9-5, Taito, Taito-Ku, Tokyo 110-0016, Japan
Phone: 03-3834-0711 Telex: 265-5482
FAX: 03-3835-8917 Cable: HAPPYSEW TOKYO

HAPPY INDUSTRIAL GmbH Am Kummerling, 10-12
6501 Bodenheim am Rhein
Germany
Phone: 06135-8101 FAX. 0211-161630

Model

Machine No.